



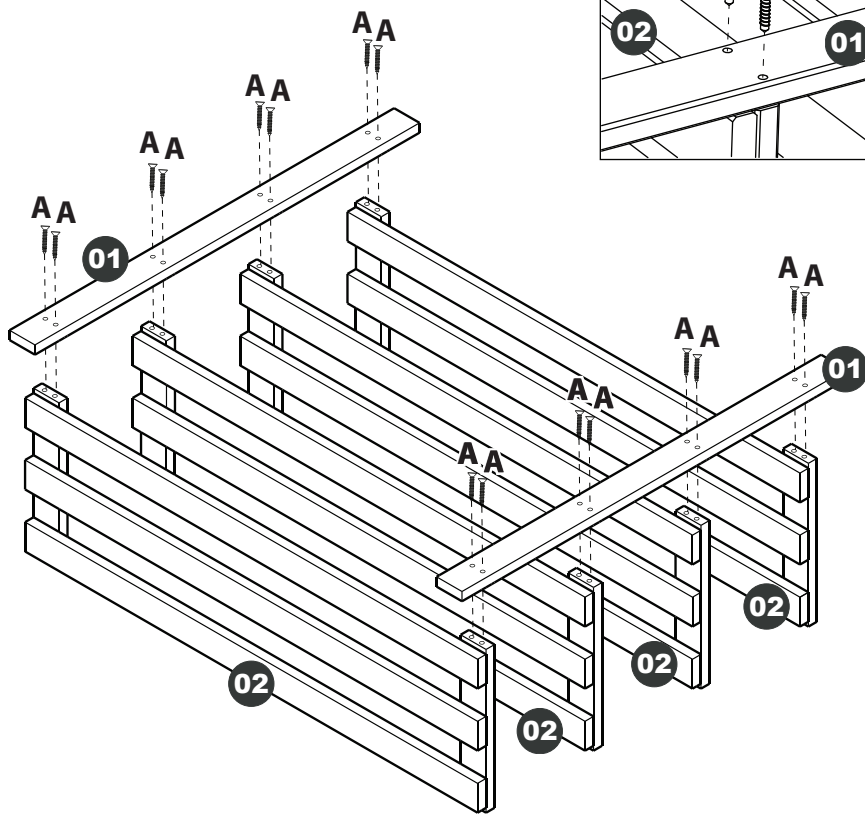


<p>A=32</p>  <p>4,0 x 40mm</p>	<p>B=01</p>  <p>3,0 x 16mm</p>	<p>C=01</p> 	<p>D=02</p> 
--------------------------------------------------------------------------------------------------------------------------	--------------------------------------------------------------------------------------------------------------------------	--------------------------------------------------------------------------------------------------------	----------------------------------------------------------------------------------------------------------

1



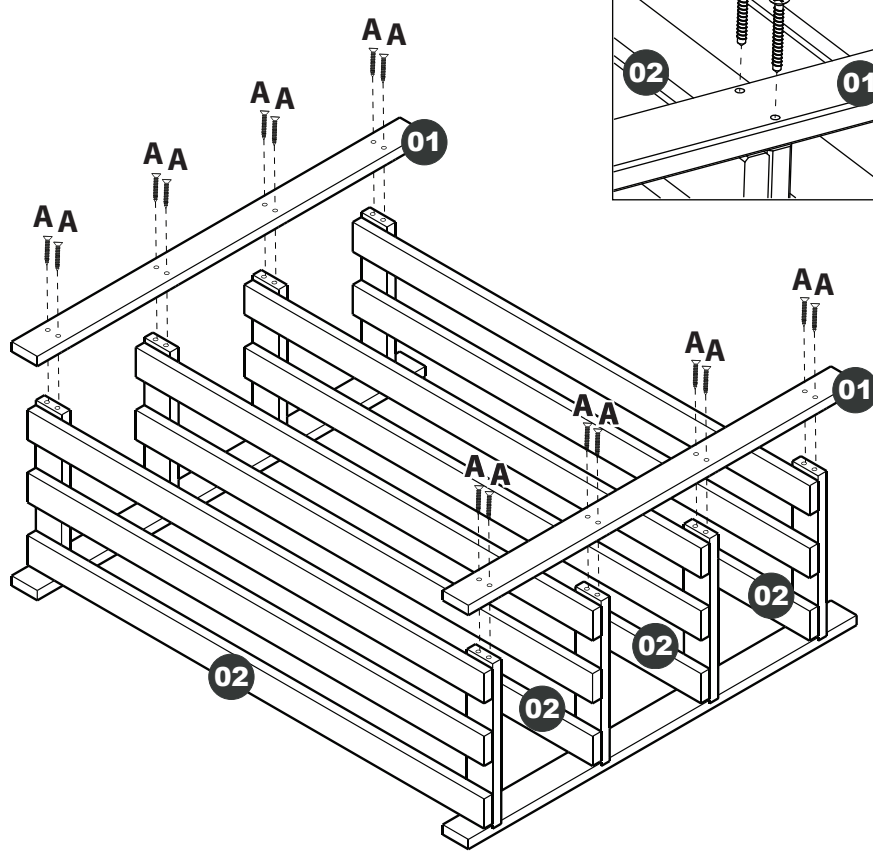
A=16



4,0 x 40mm



2

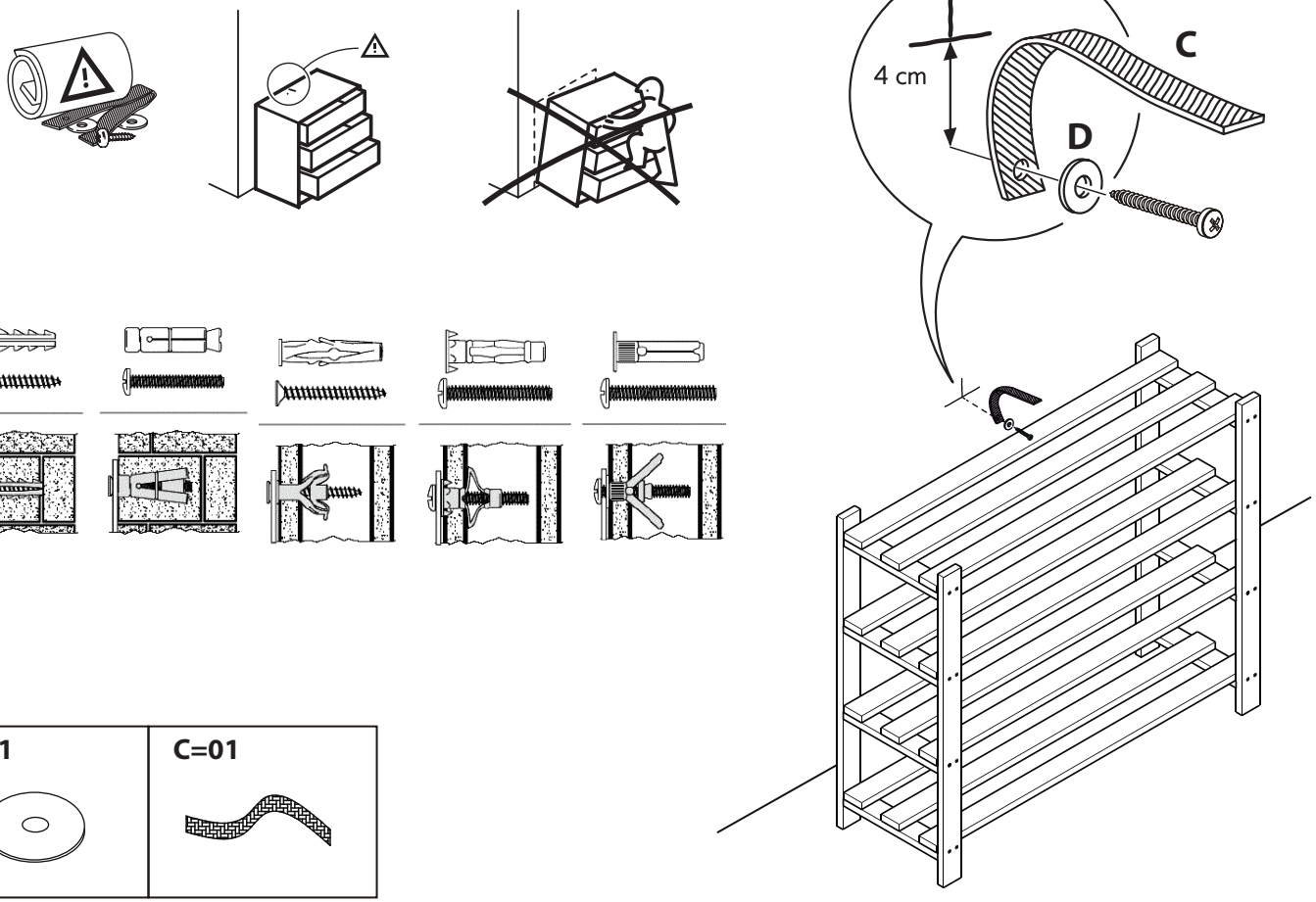


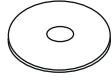

A=16



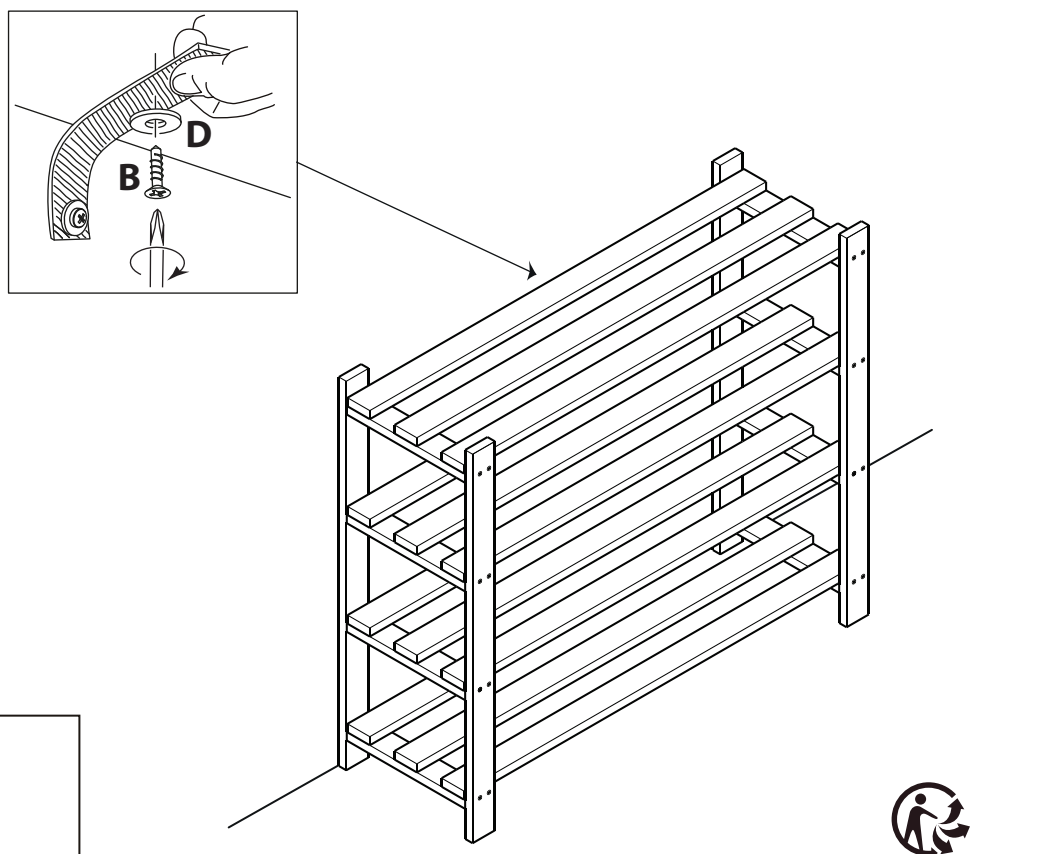
4,0 x 40mm

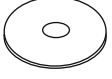
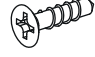
3



<p>D=01</p> 	<p>C=01</p> 
-------------------------------------------------------------------------------------------------------	-------------------------------------------------------------------------------------------------------

4



<p>D=01</p> 	<p>B=01</p>  <p>3,0 x 16mm</p>
--------------------------------------------------------------------------------------------------------	--------------------------------------------------------------------------------------------------------------------------