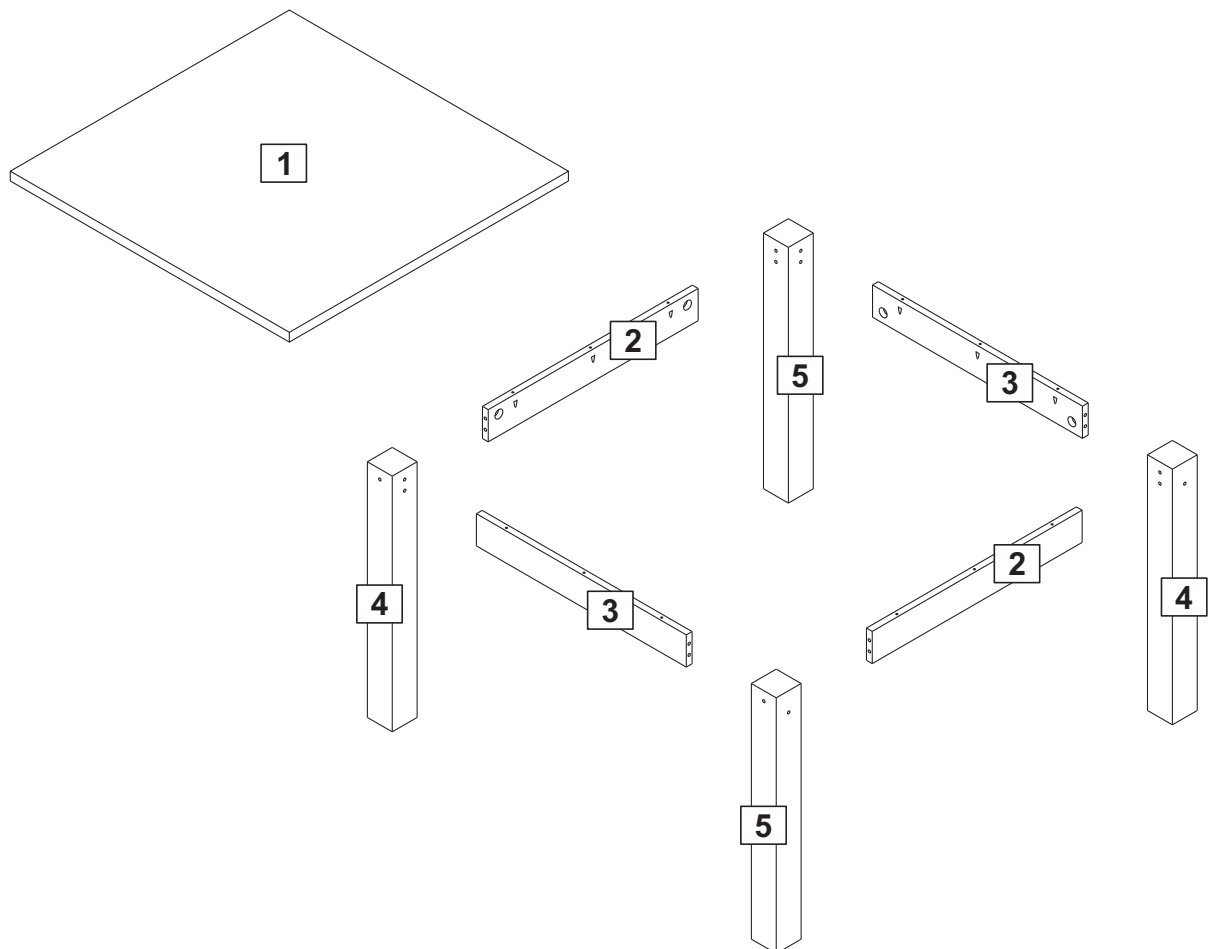


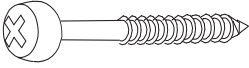


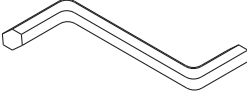
Ref.: 1585

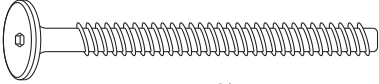


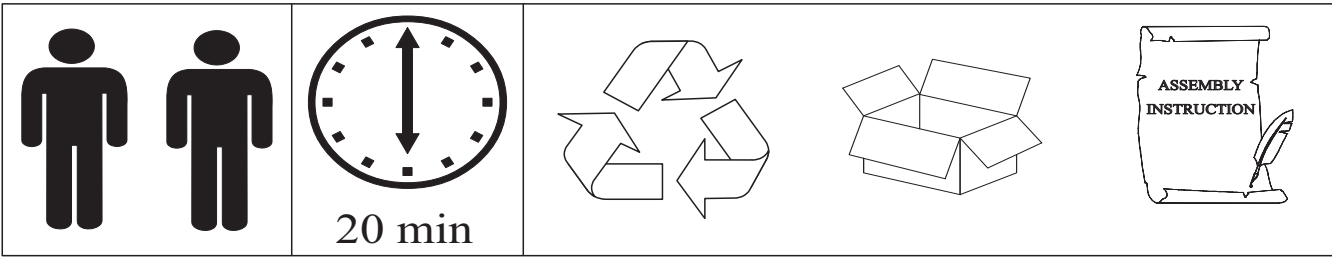
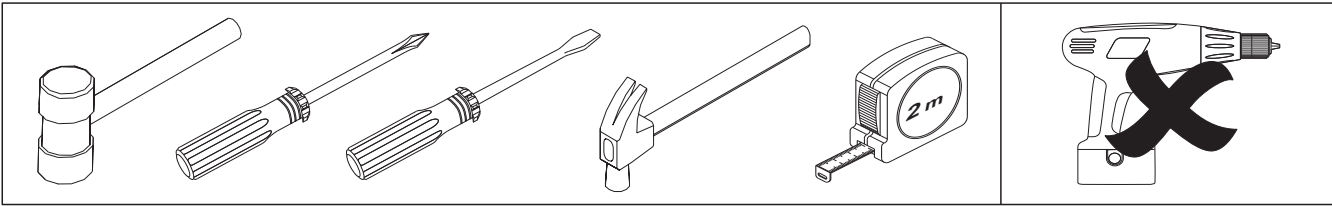
A x 8  Ø8x30mm

D x 8 


B x 12  Ø4,0x35mm

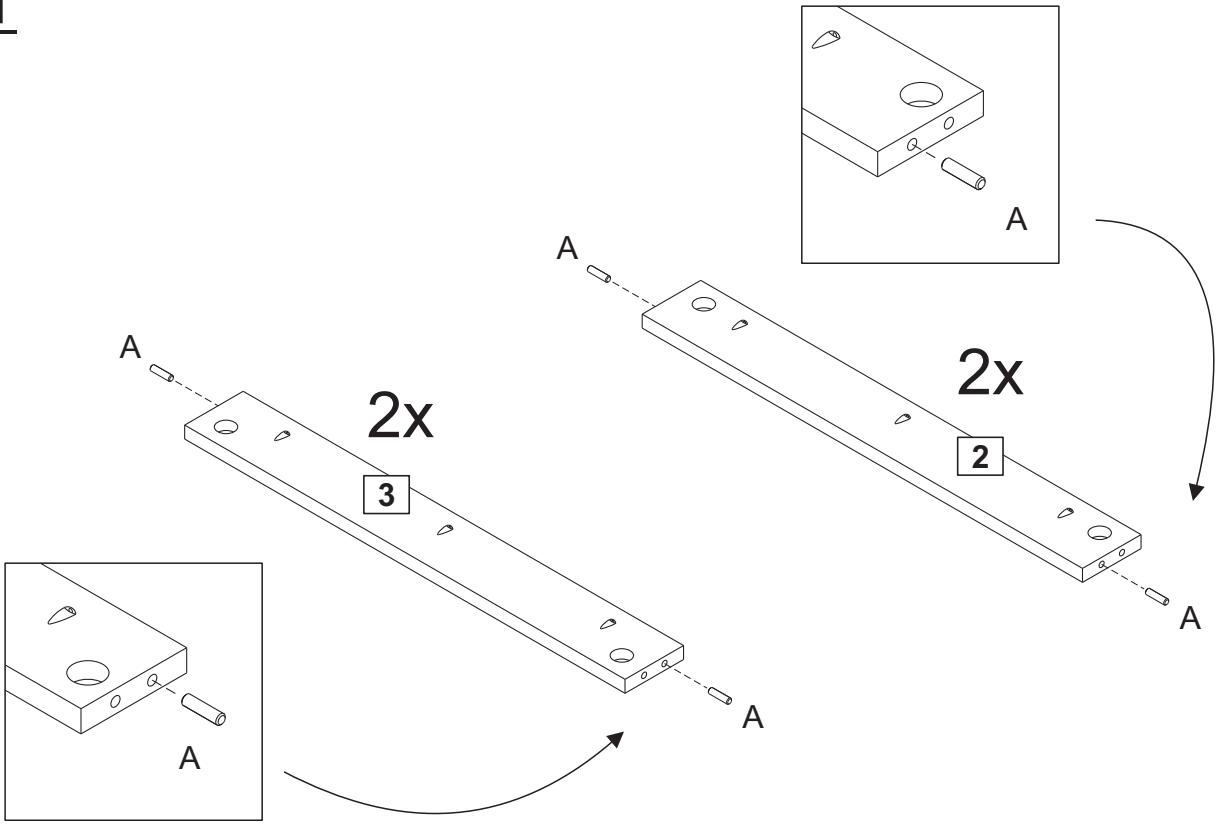
E x 1 

C x 8  Ø7,0x120mm

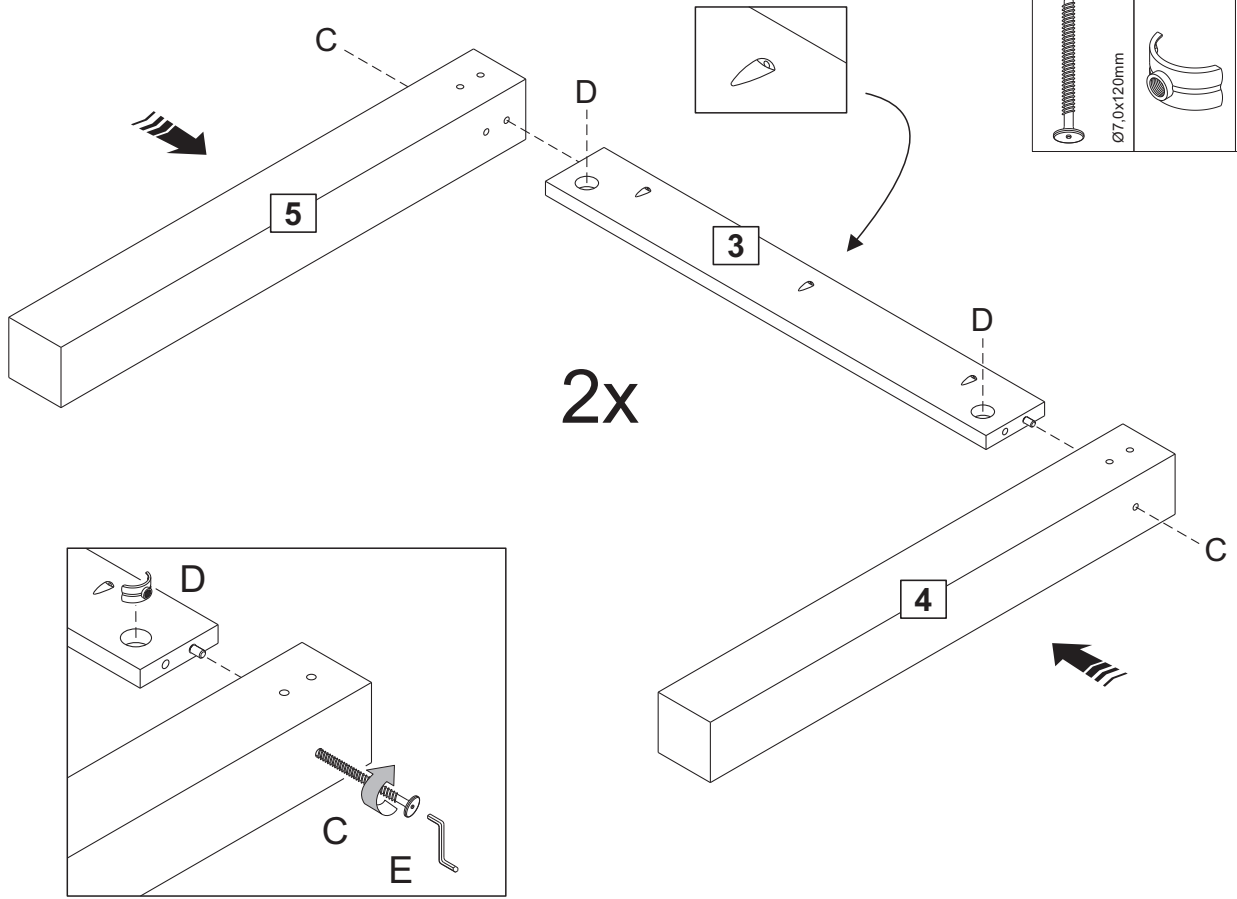


1

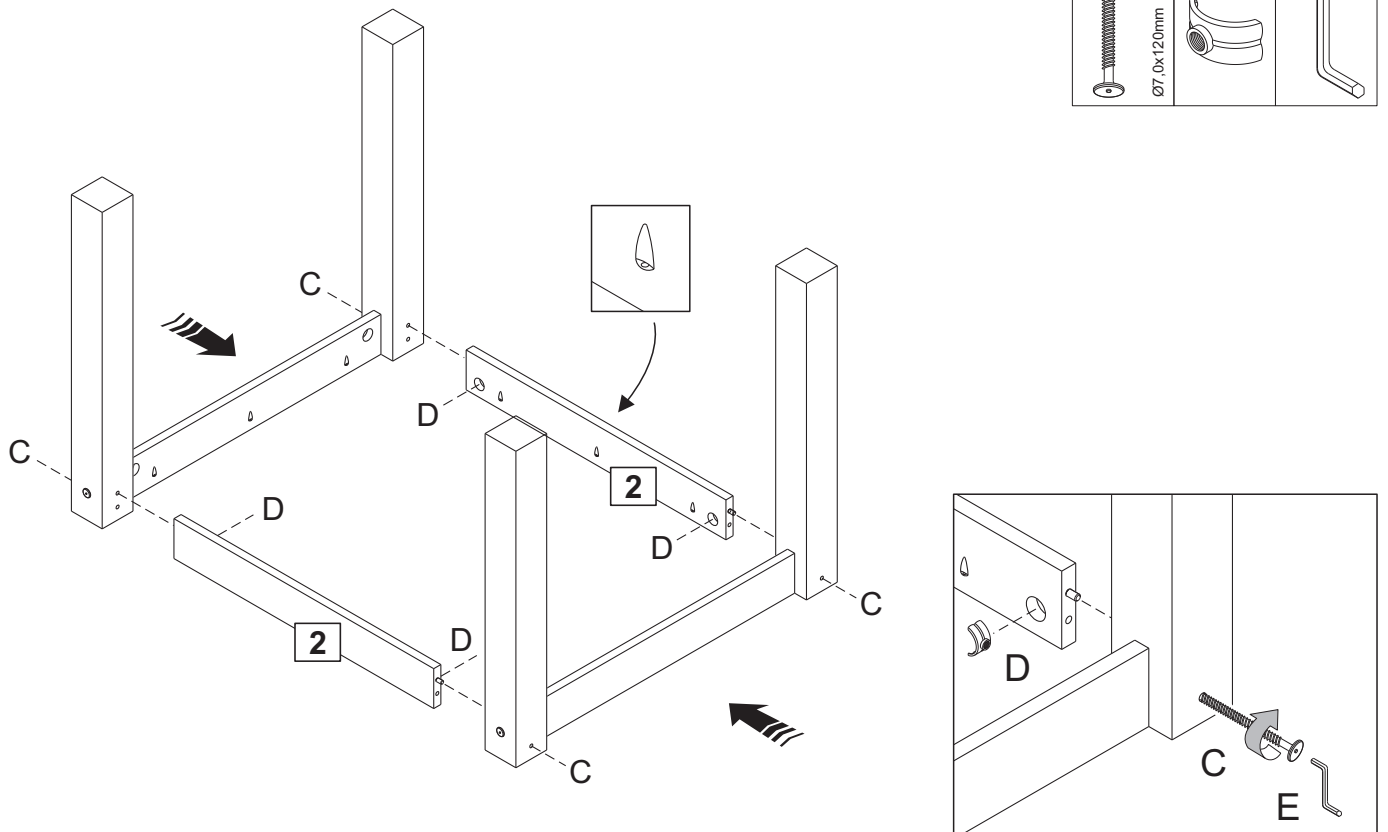
A x 8  Ø8x30mm



2



3



4

