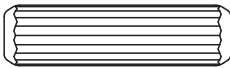
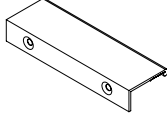

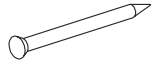
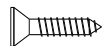


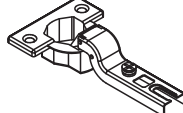

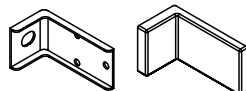
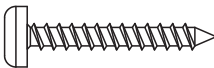
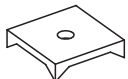
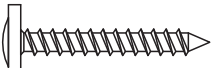
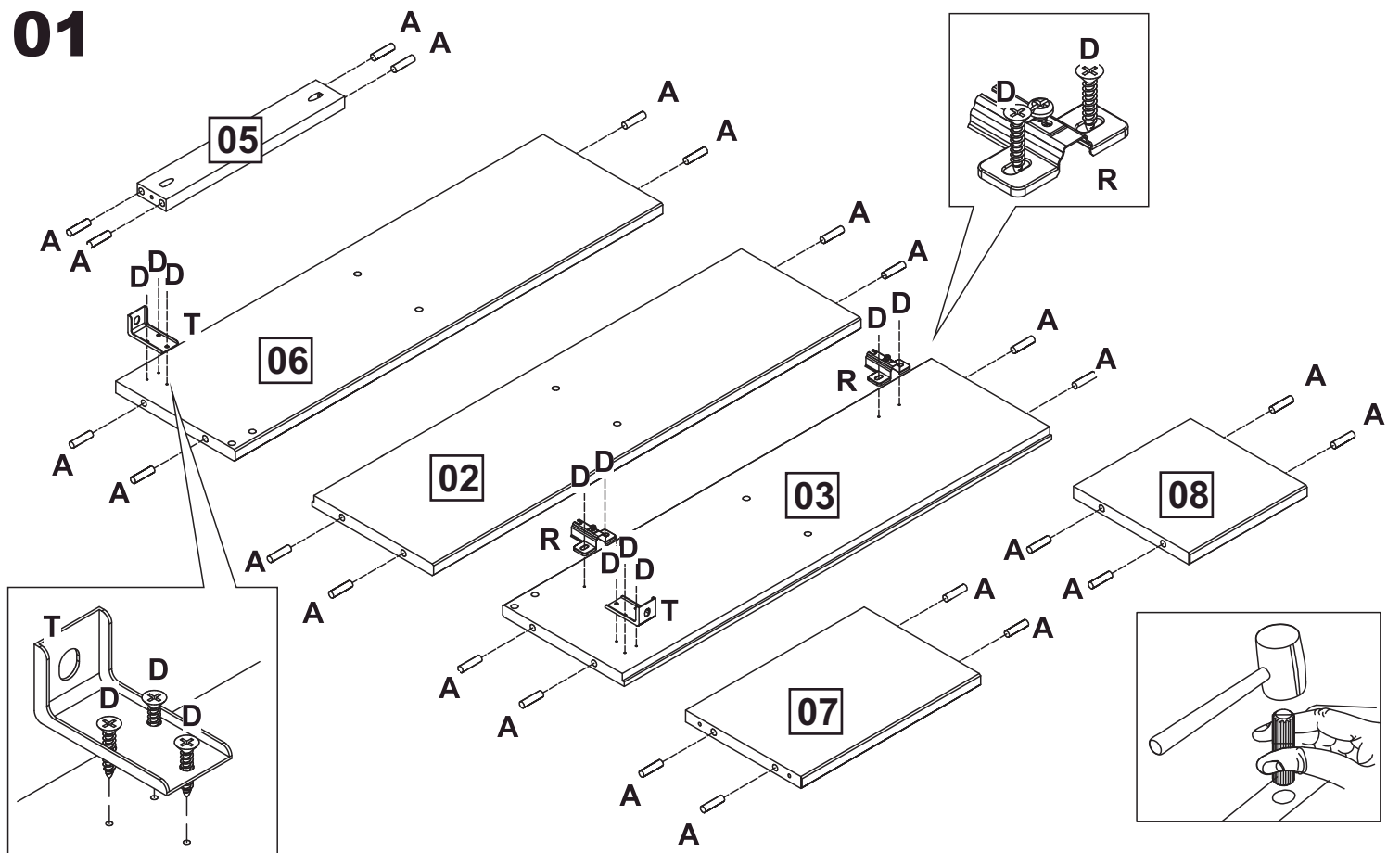


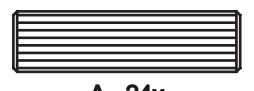
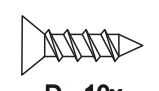




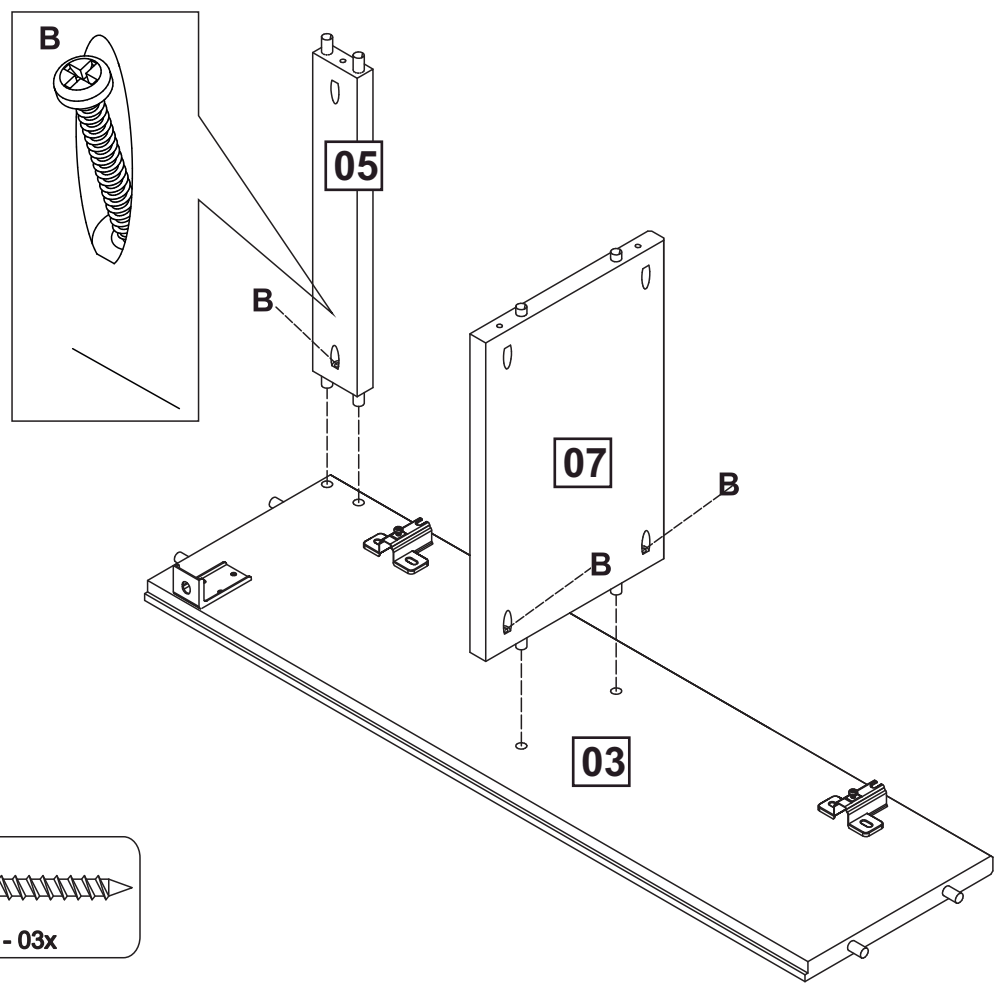
A	 8,0x30	24	K		01
B	 4,0x30	06	L		33
C	 3,0x12	02	R		02
D	 4,0x16	14	S		02
E	 4,0x40	12	T		02
H	 4,0x25	06	Y		05
J	 4,5x25	02			


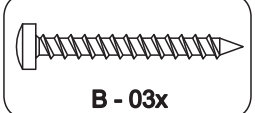
01



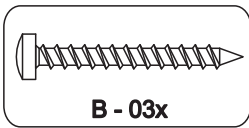
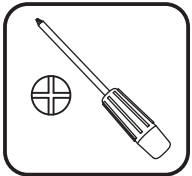
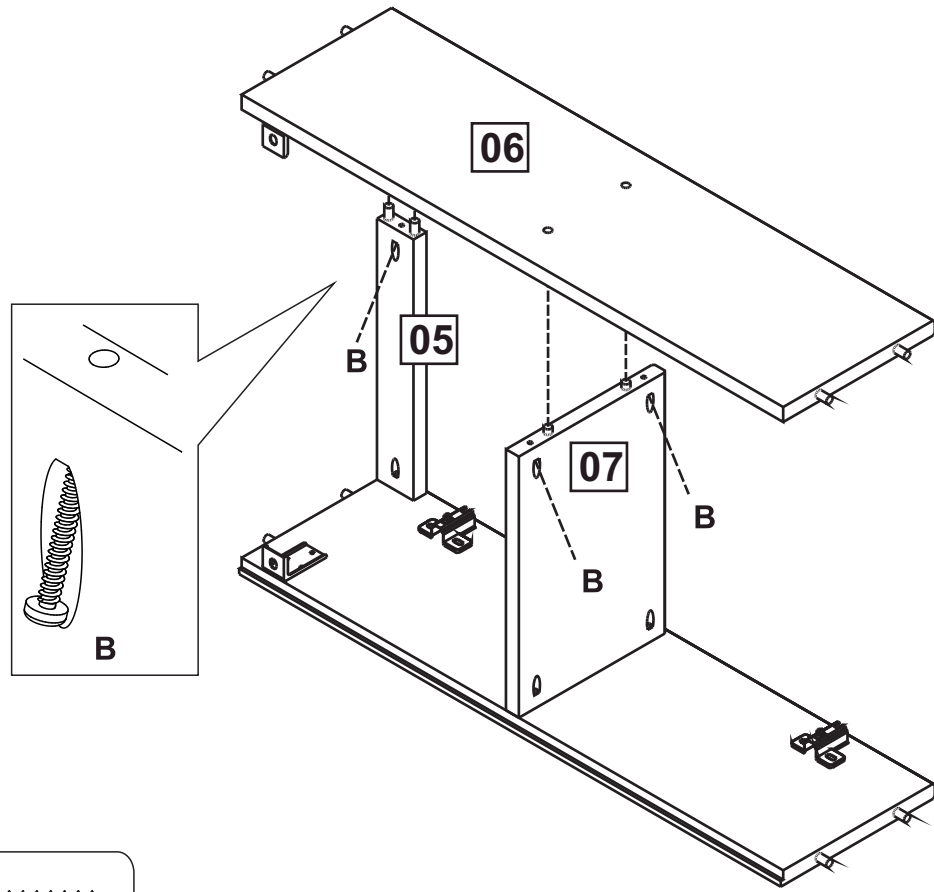
		 A - 24x	 D - 10x	 R - 02x	 T - 02x
---	--	---	---	--	---

02

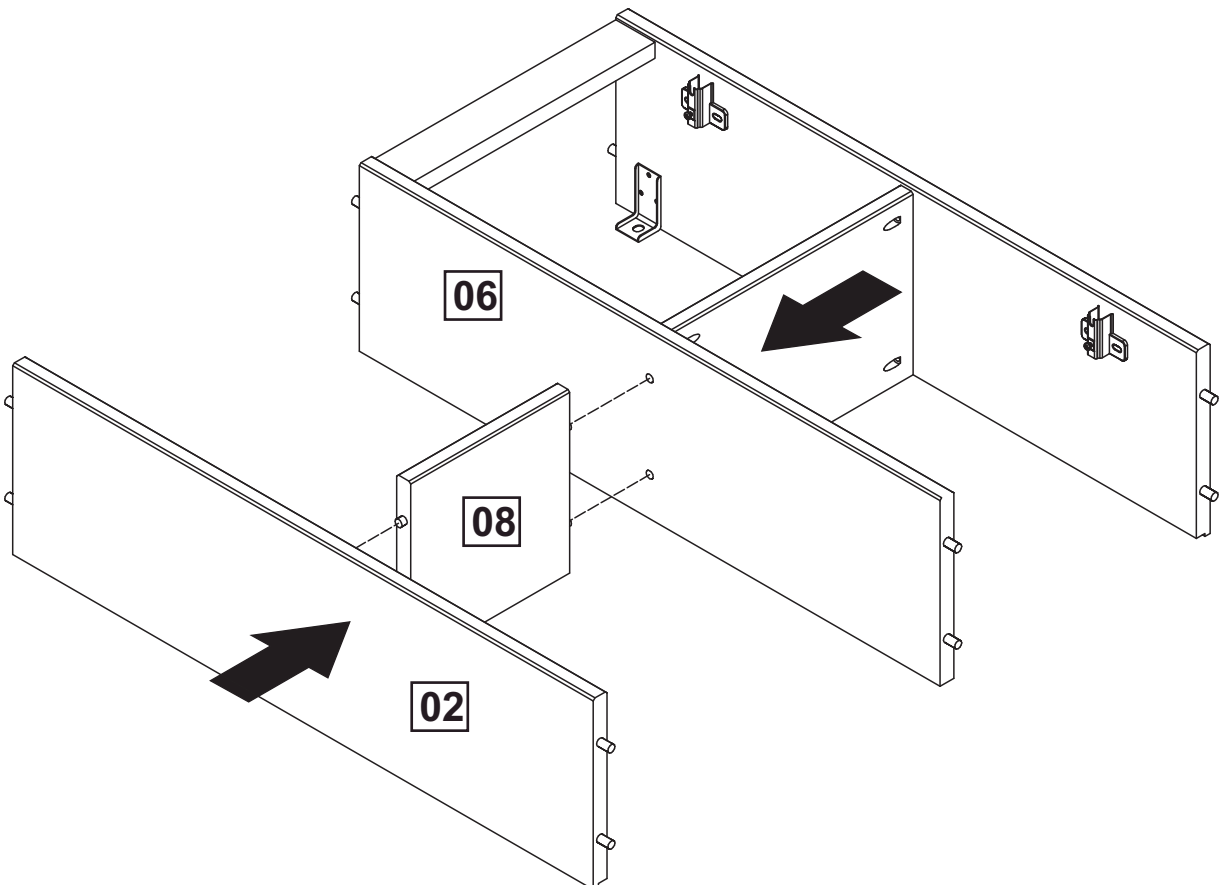


	 B - 03x
--	--

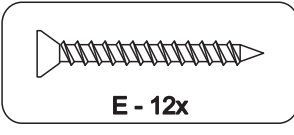
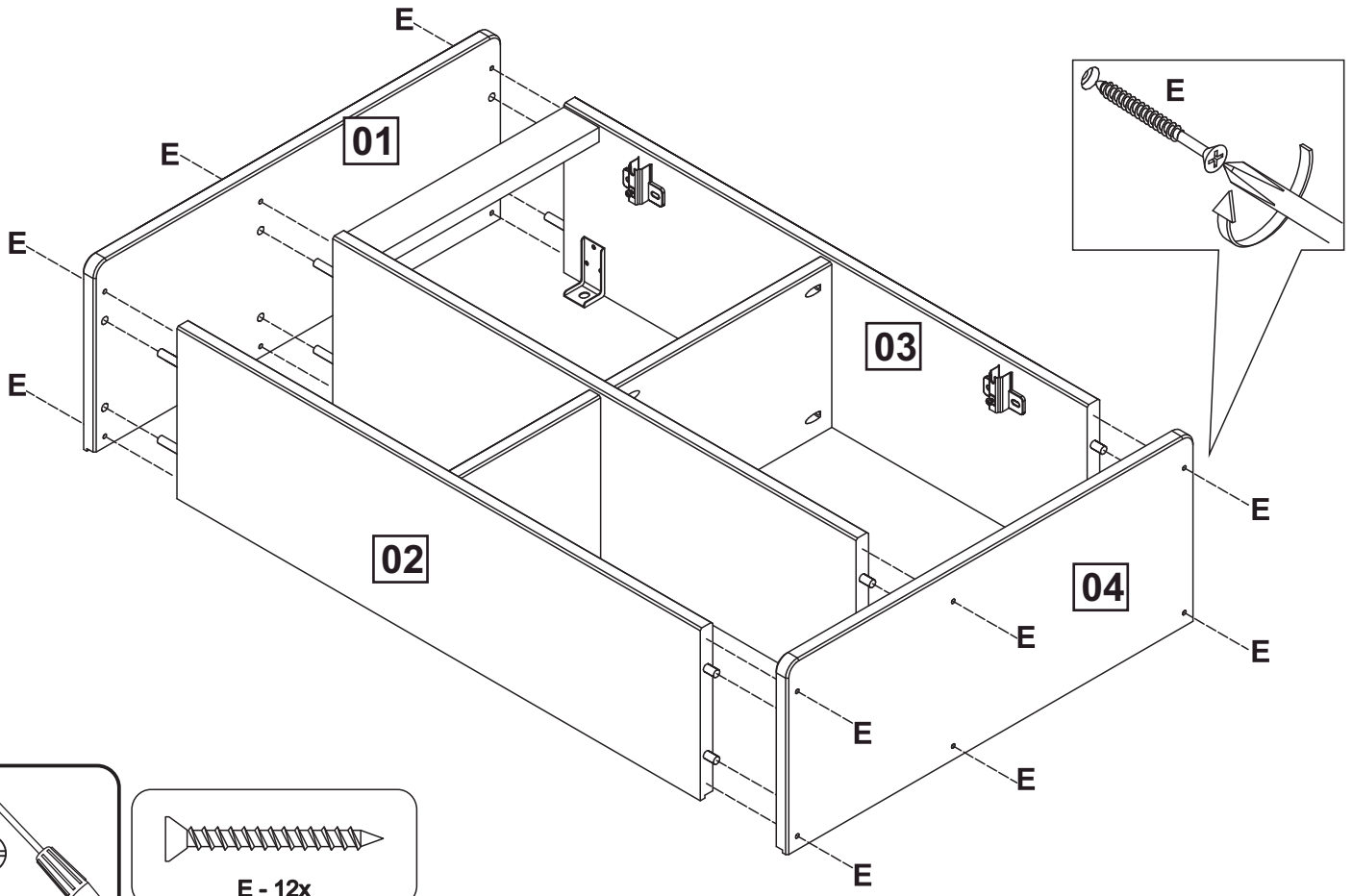
03



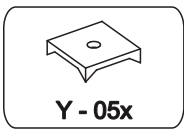
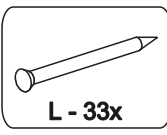
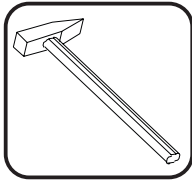
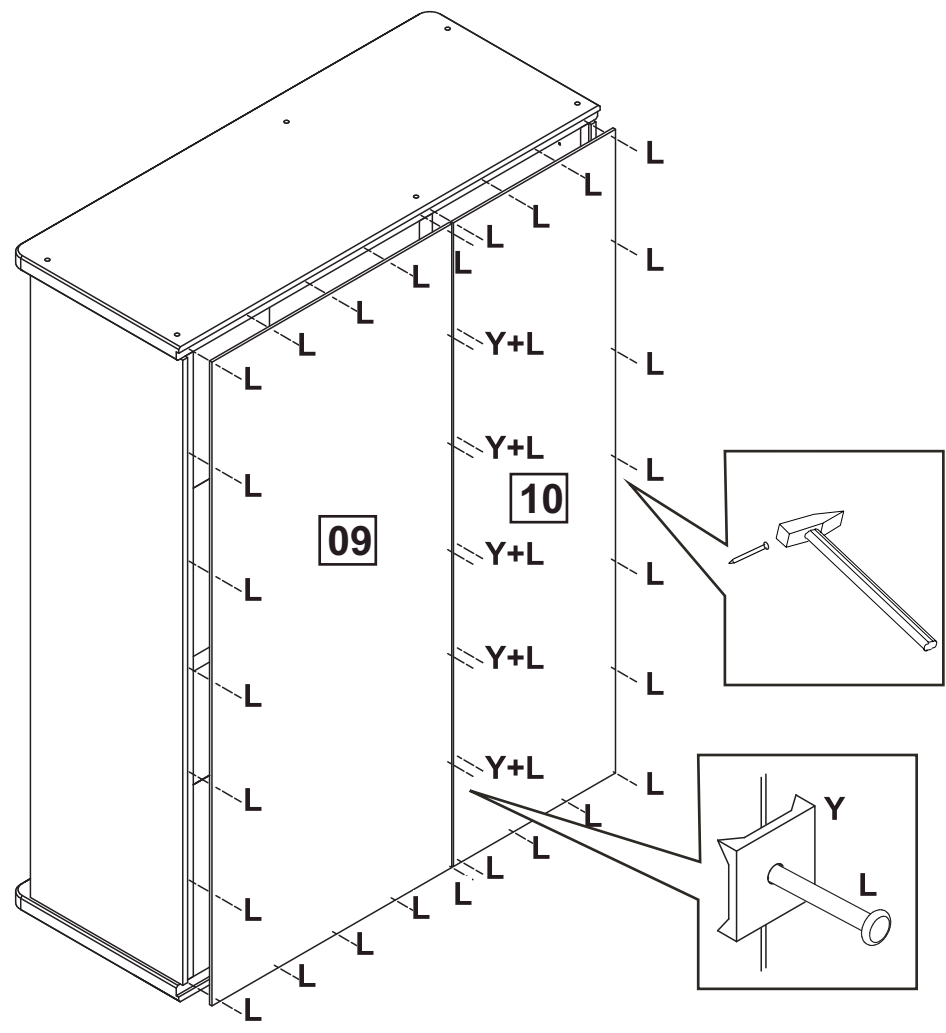
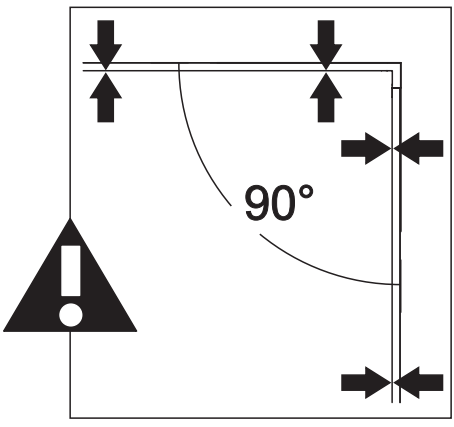
04



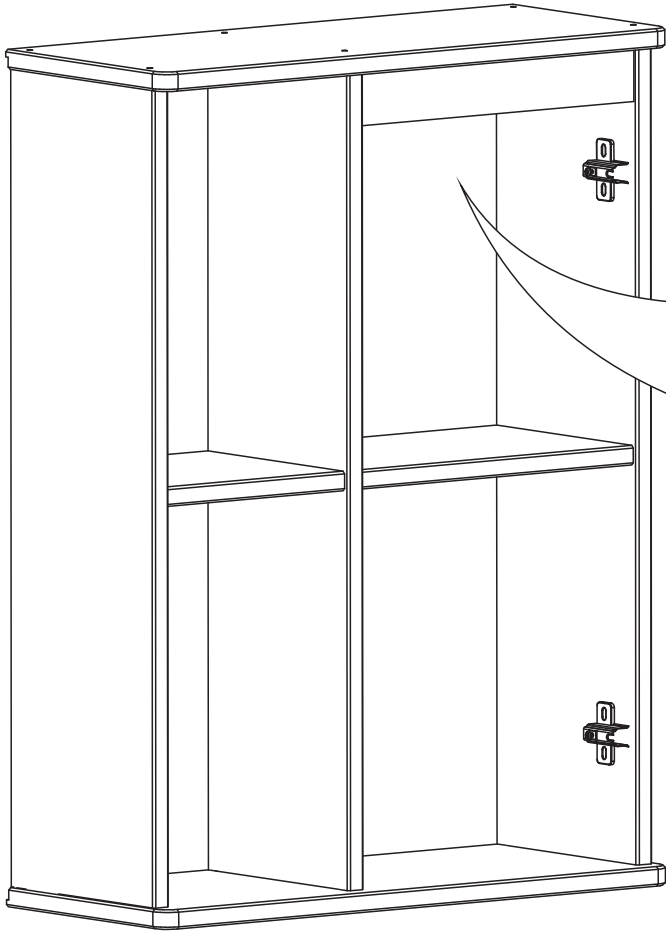
05



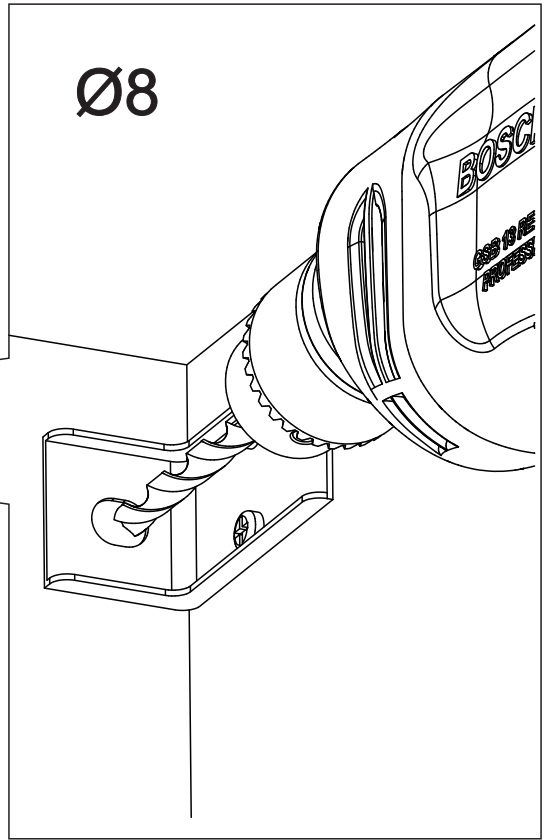
06



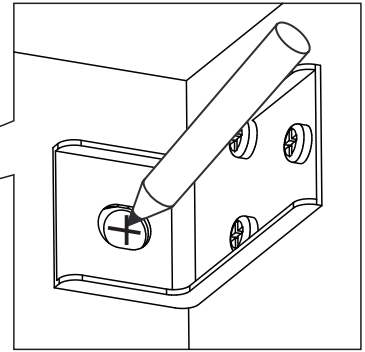
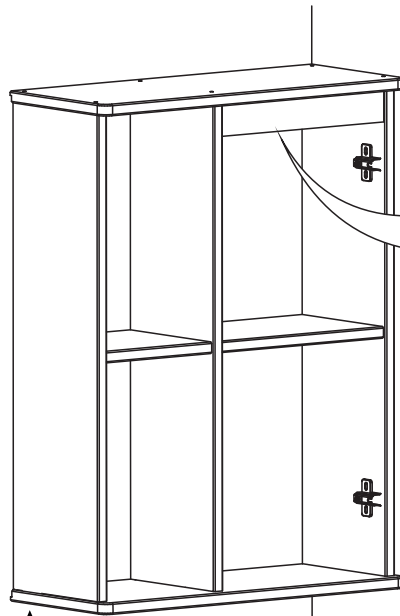
07



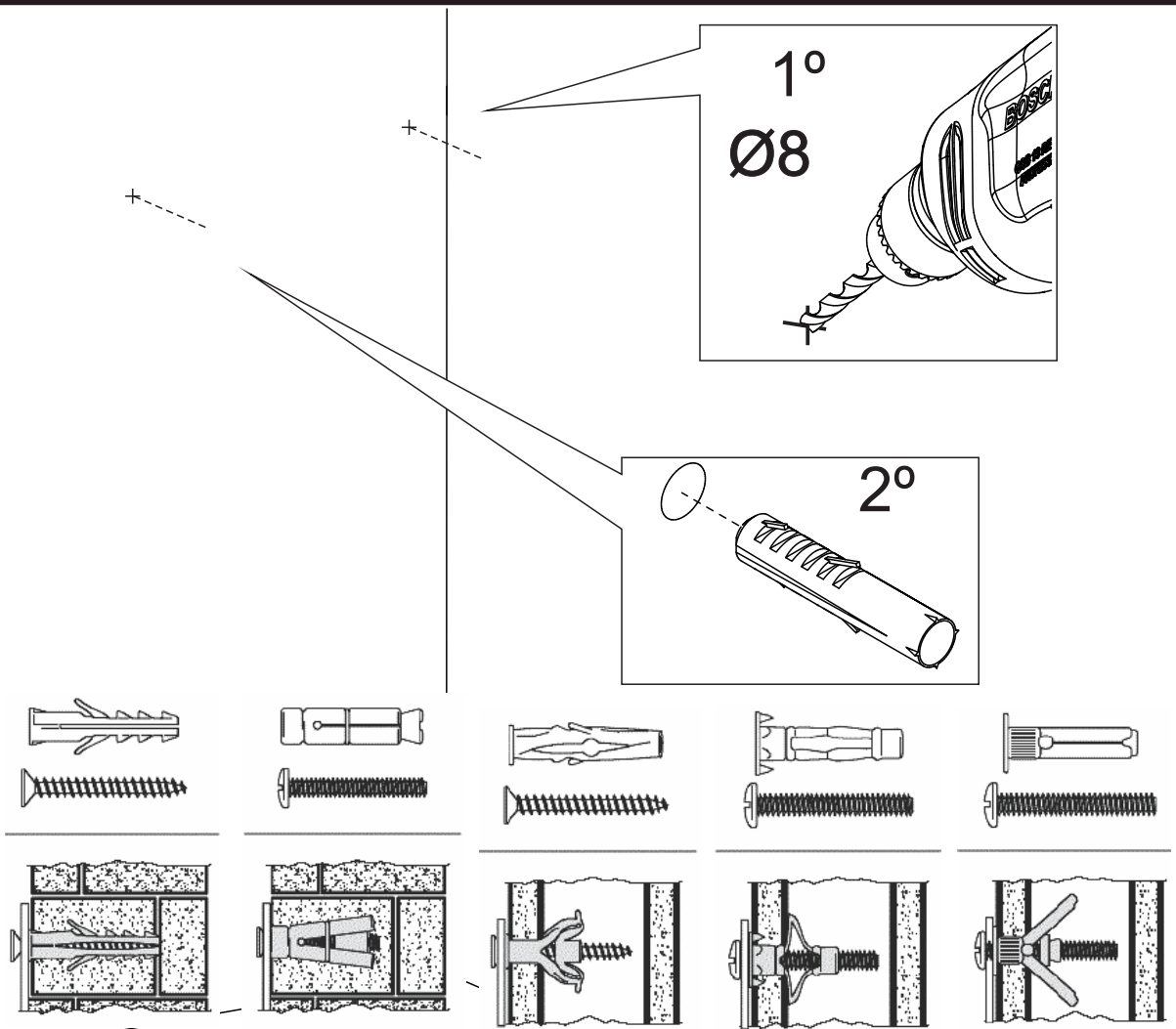
Ø8



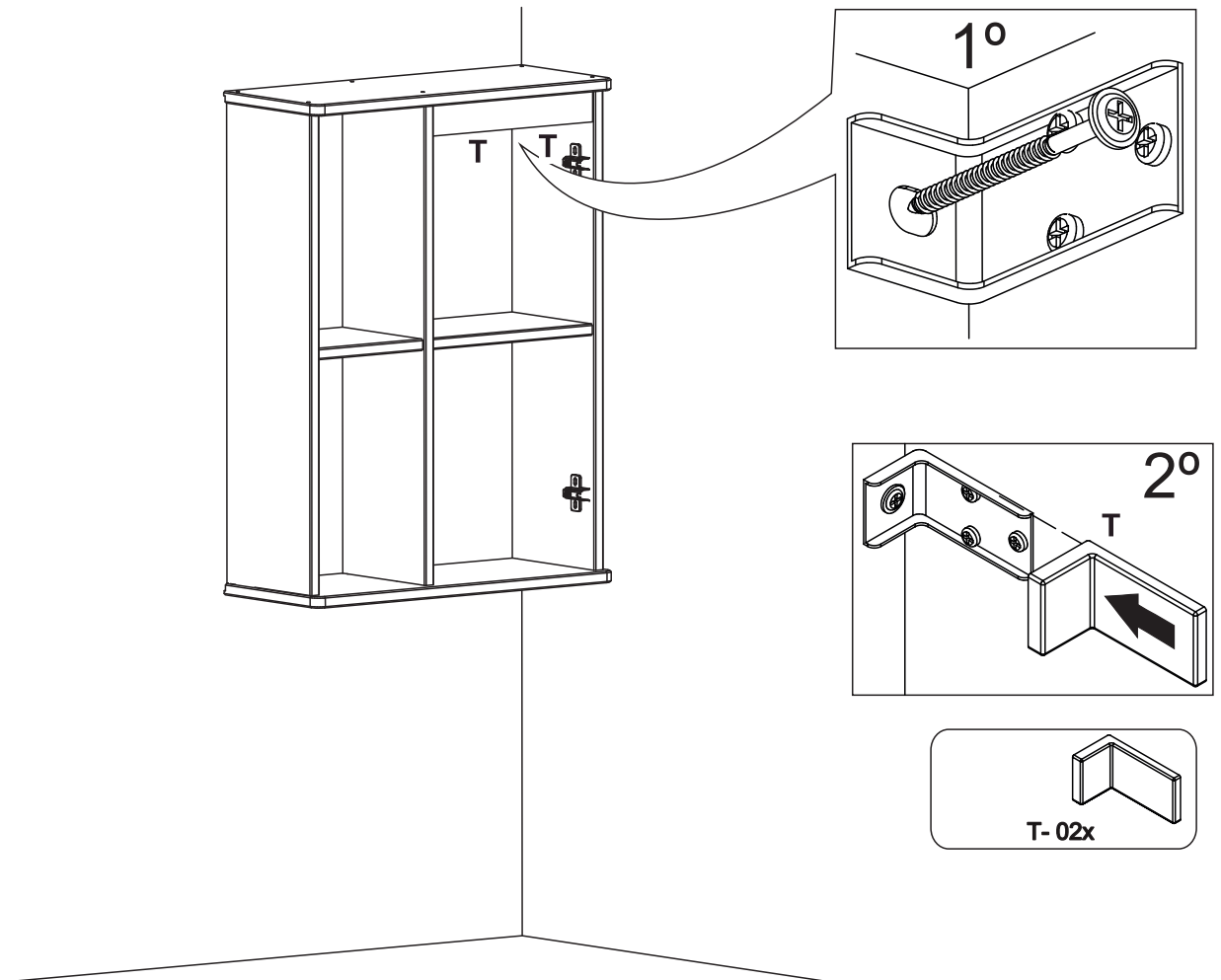
08



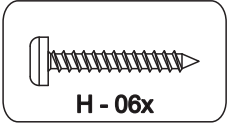
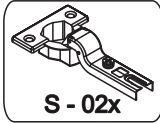
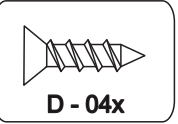
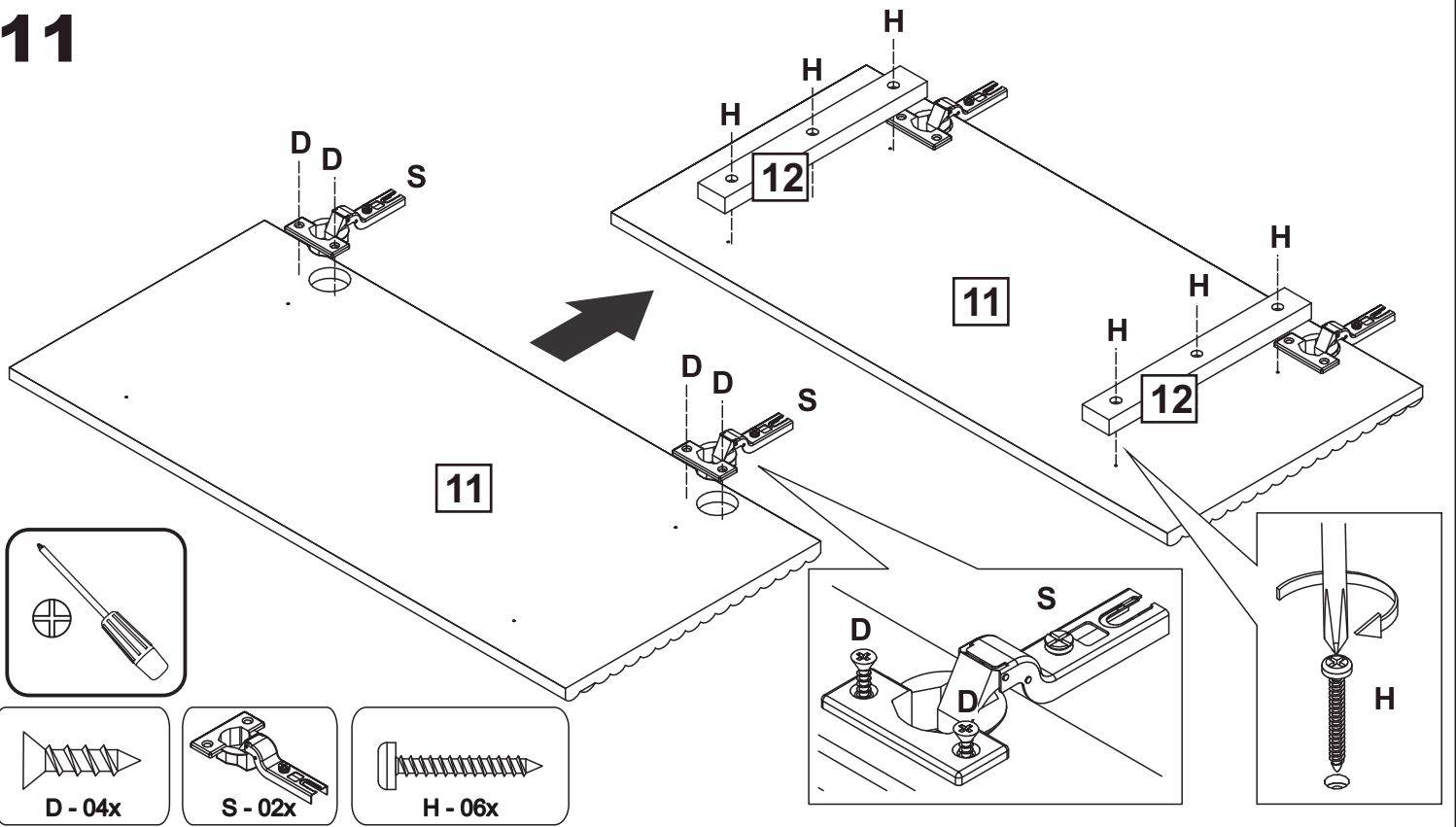
09



10



11



12

