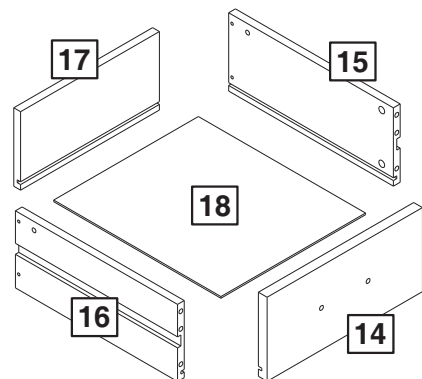
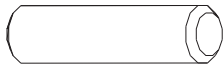

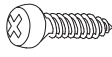



2x

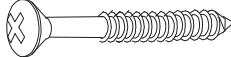


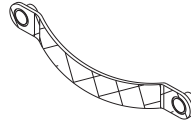
A x 38  Ø8x30mm

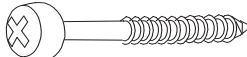
H x 10 

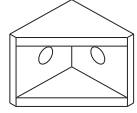
B x 17  Ø3,5x14mm

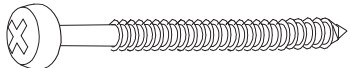
I x 8 

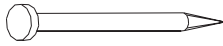
C x 16  Ø3,5x30mm

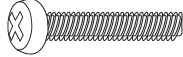
J x 2 

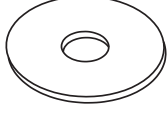
D x 6  Ø4,0x35mm


K x 6 

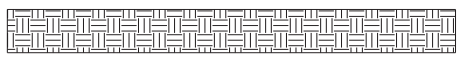
E x 8  Ø4,5x50mm

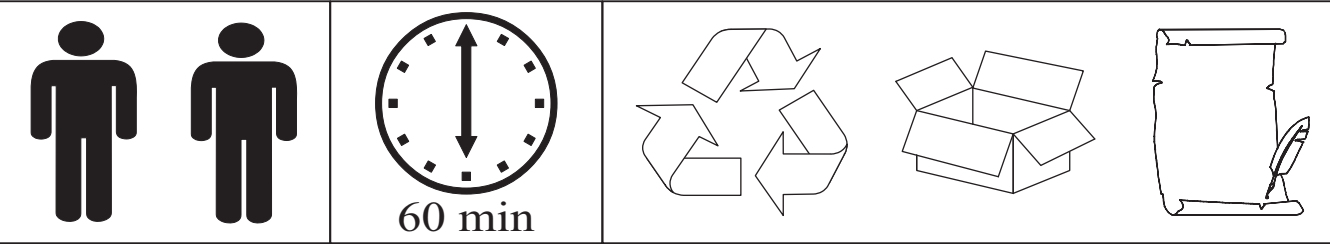
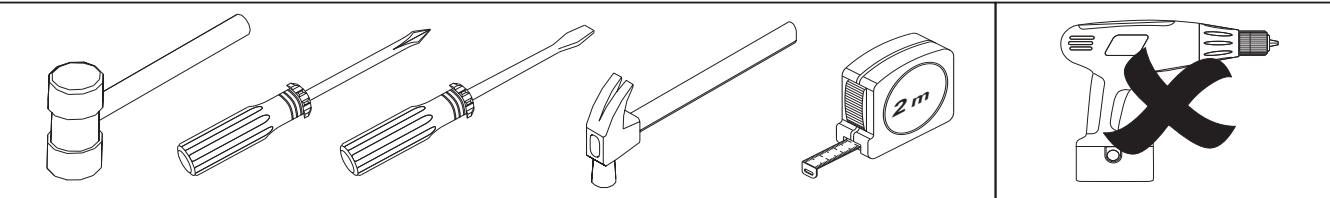
L x 28 

F x 4  ØM4x16mm

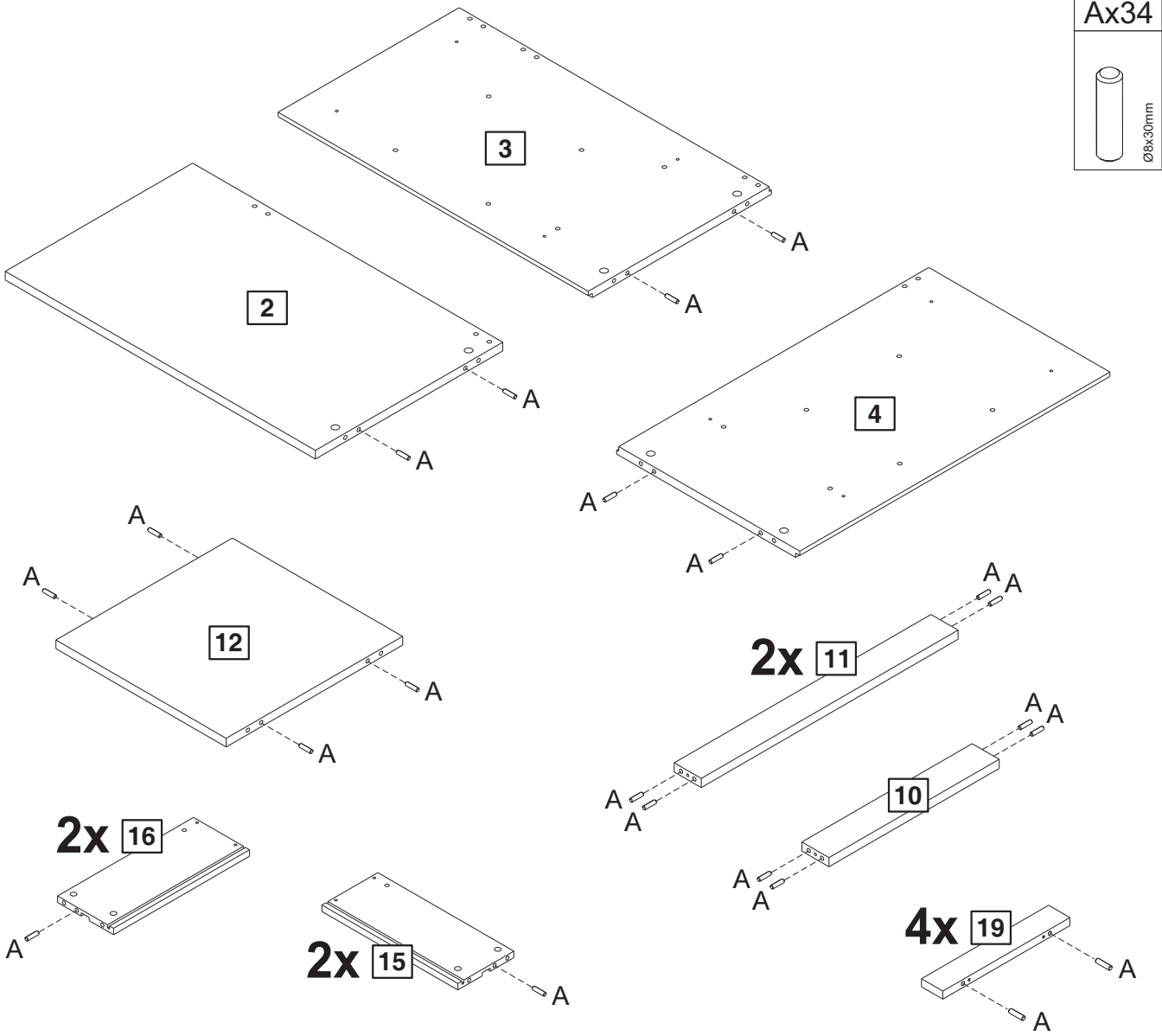
M x 2 

G x 18 

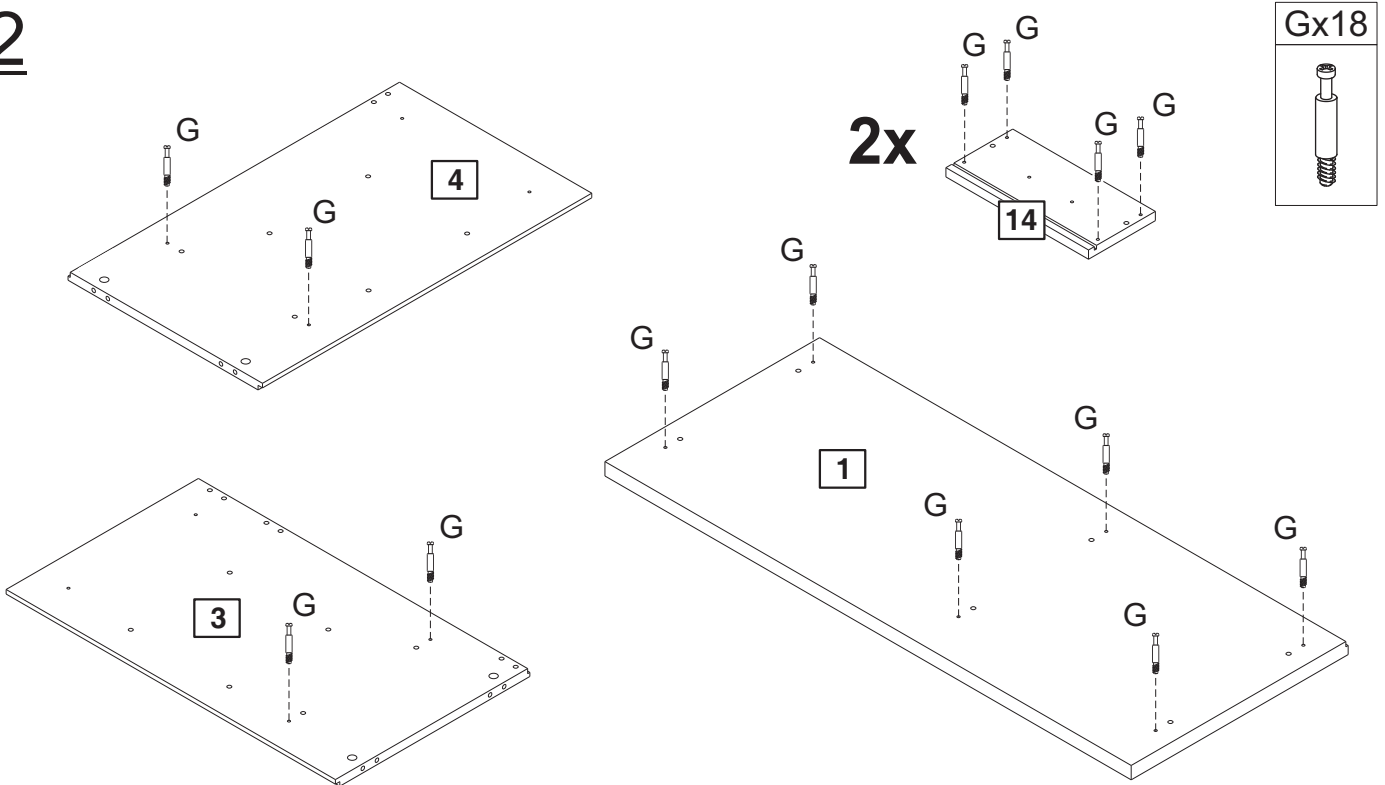
N x 1 



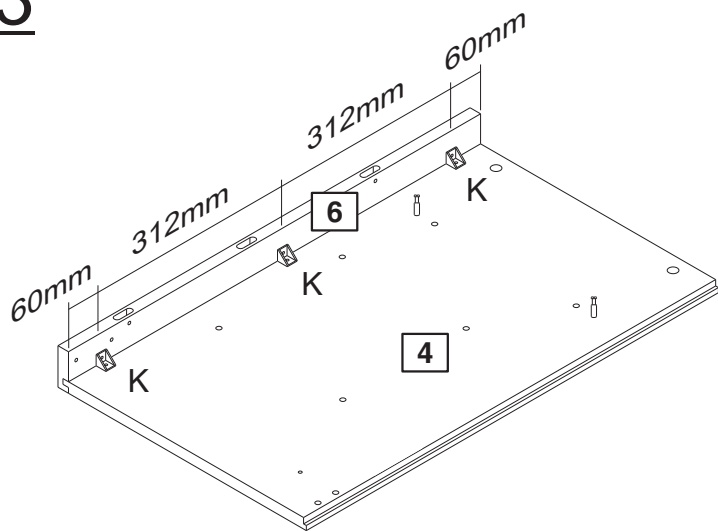
1


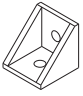


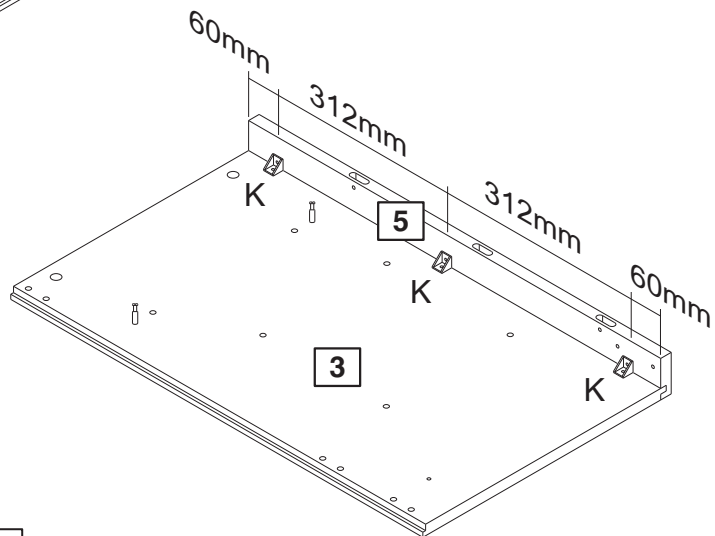
2



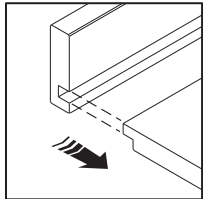
3



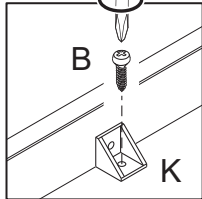
Bx12	Kx6
	
Ø3.5x14mm	



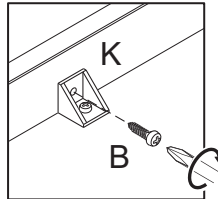
a:



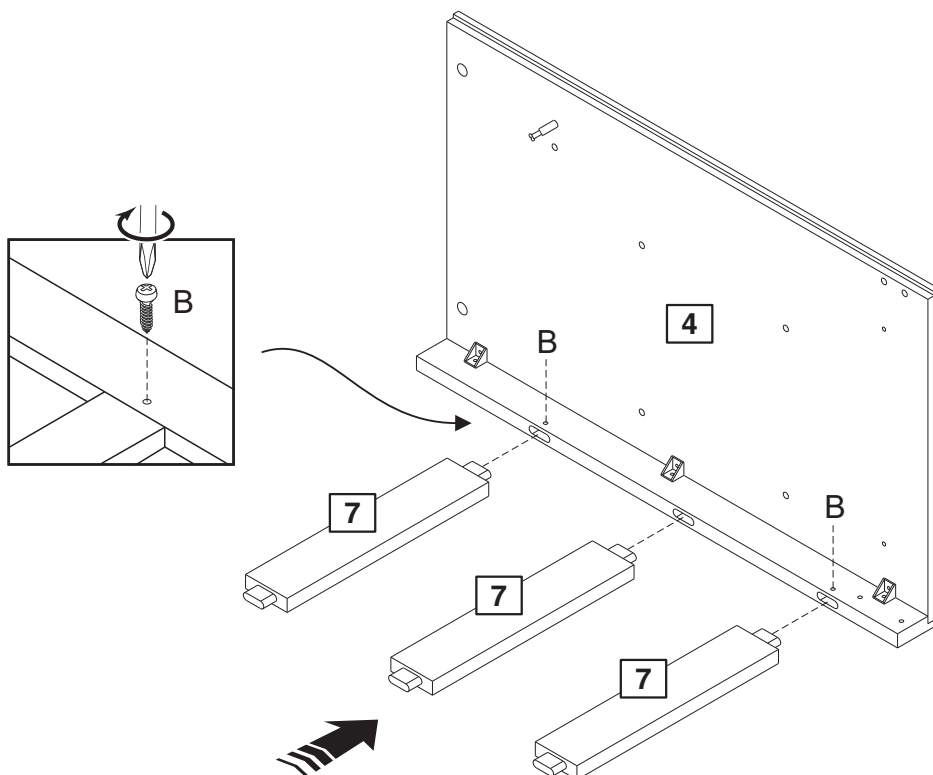
b:




c:

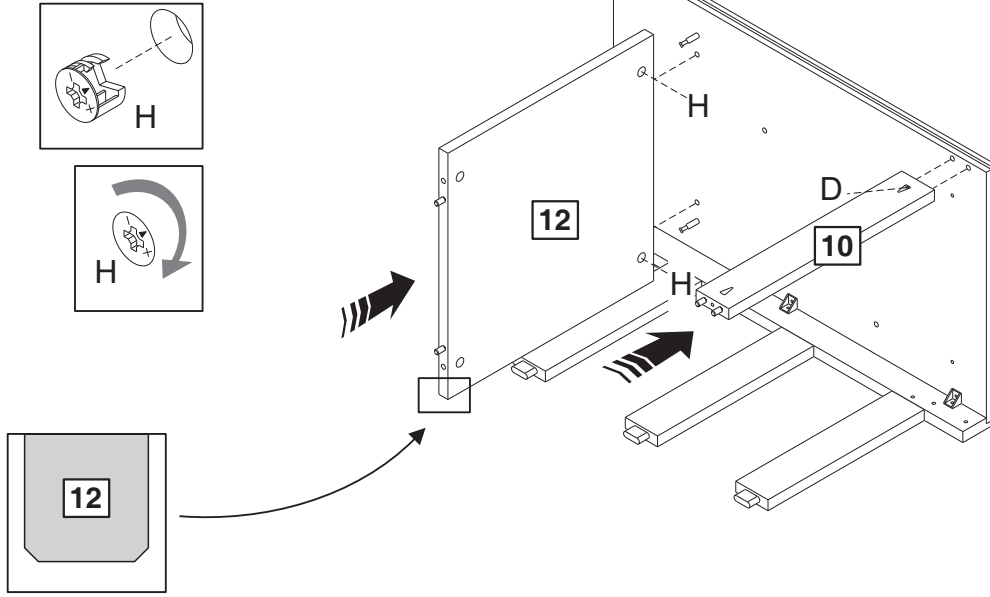


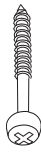

4



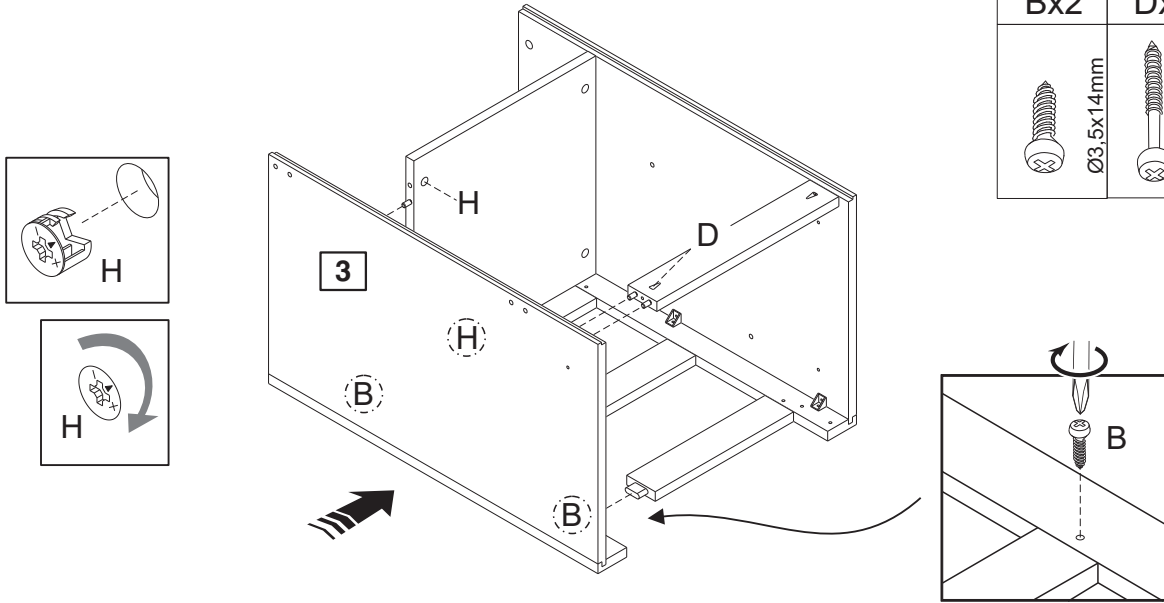
Bx2

Ø3.5x14mm




5



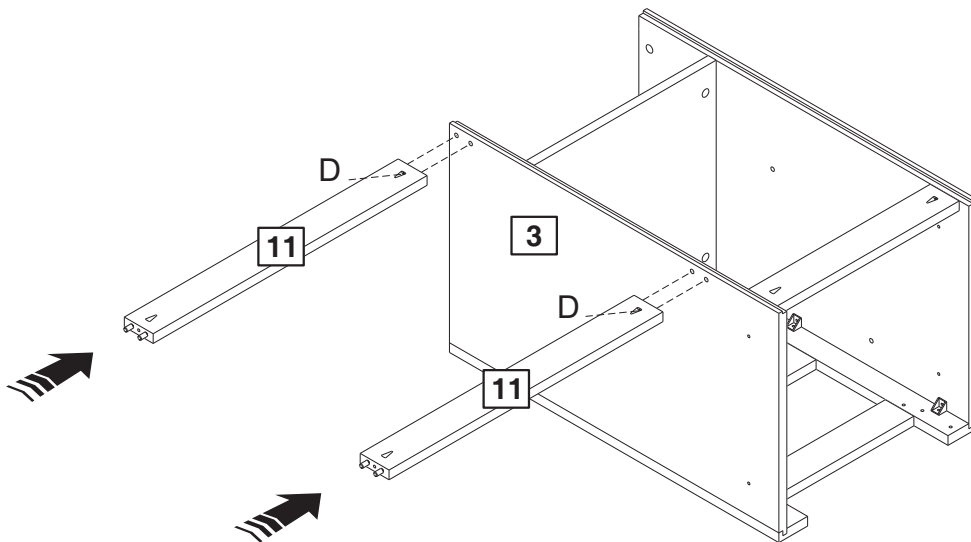
Dx1	Hx2
 Ø4,0x35mm	

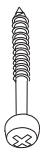
6



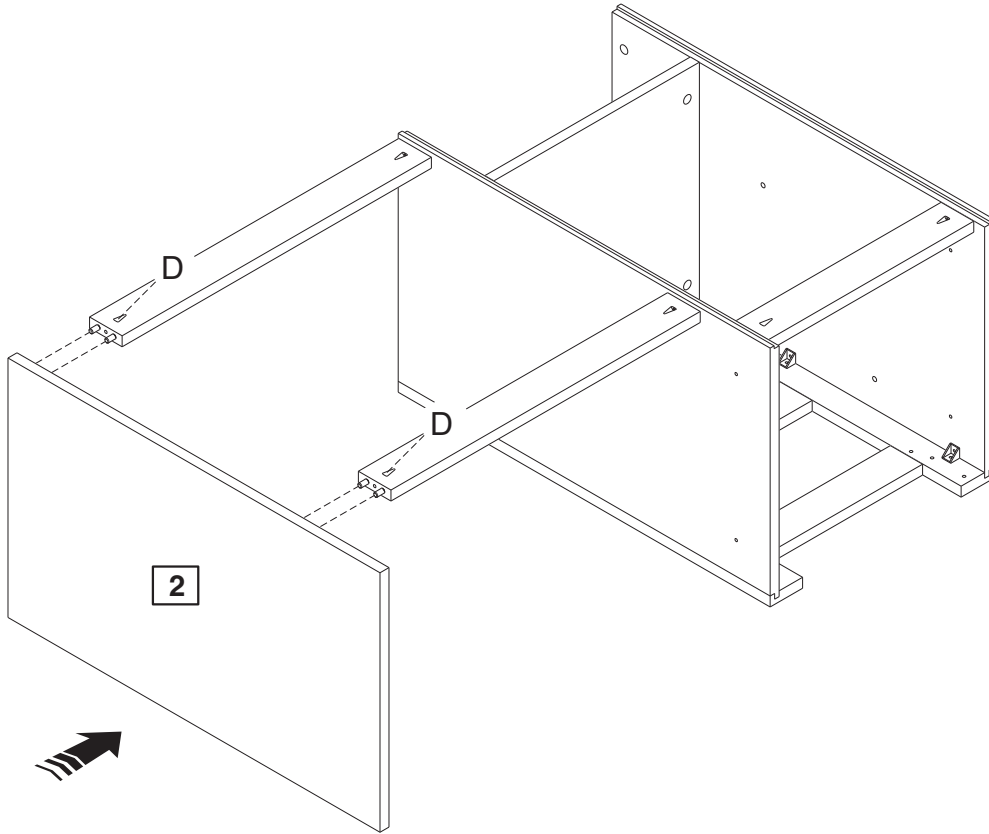
Bx2	Dx1	Hx2
 Ø3,5x14mm	 Ø4,0x35mm	

7

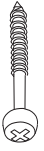


Dx2
 Ø4,0x35mm

8

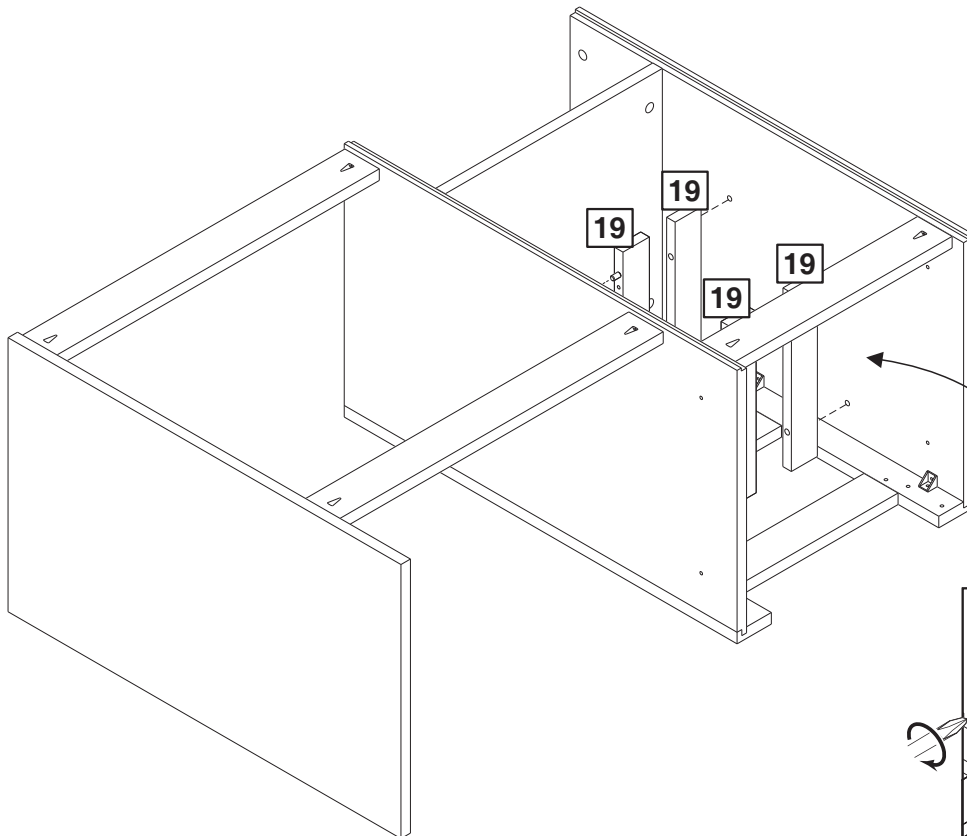


Dx2



Ø4,0x35mm

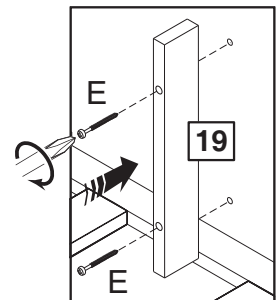
9



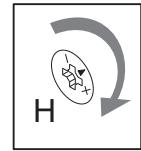
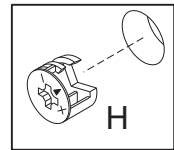
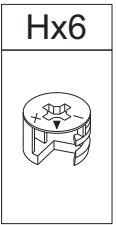
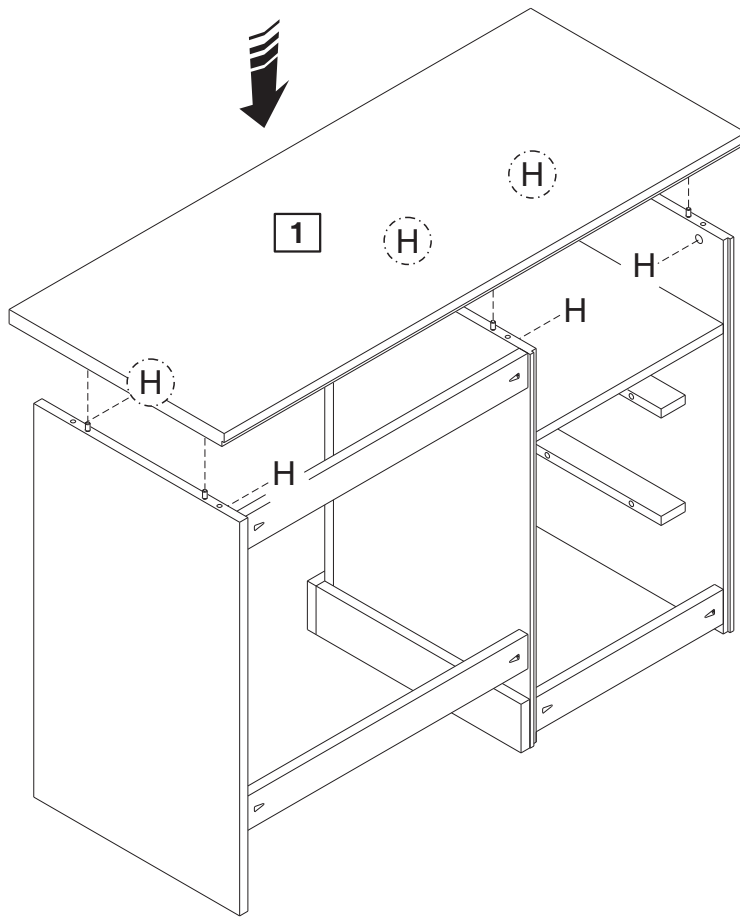
Ex8



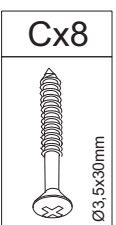
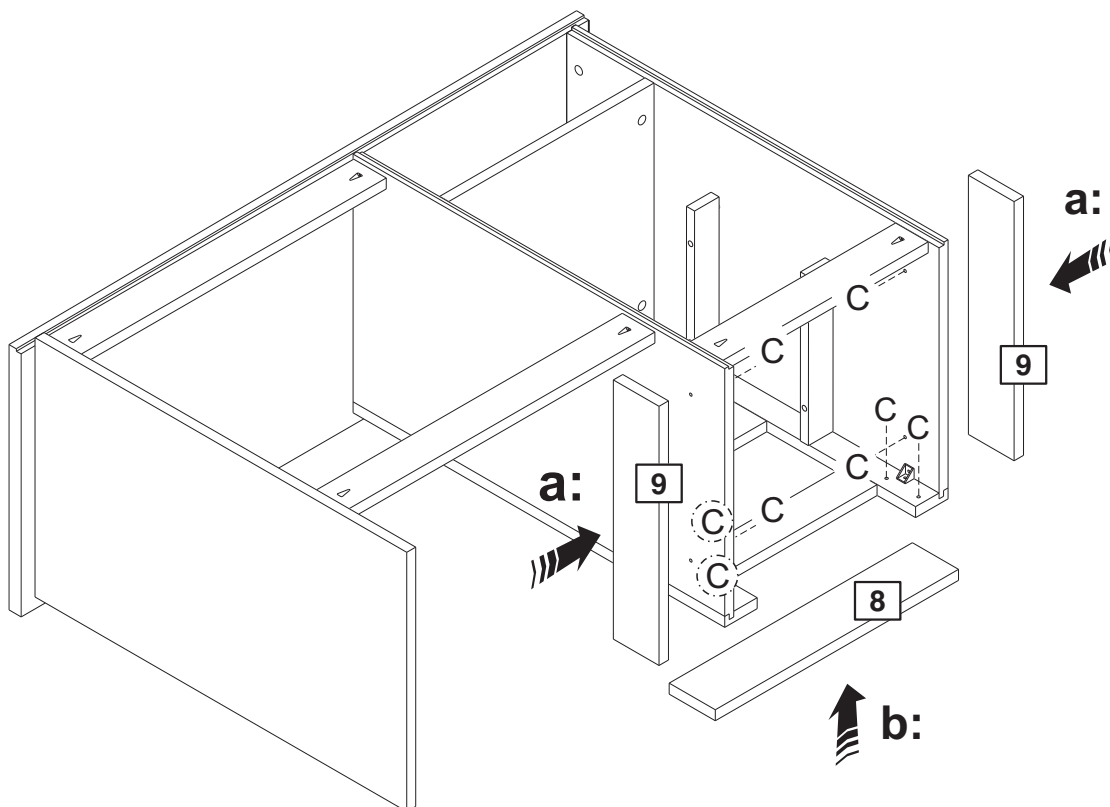
Ø4,5x50mm



10

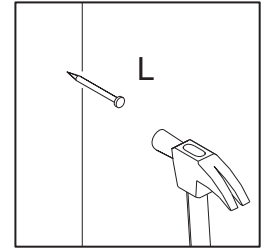
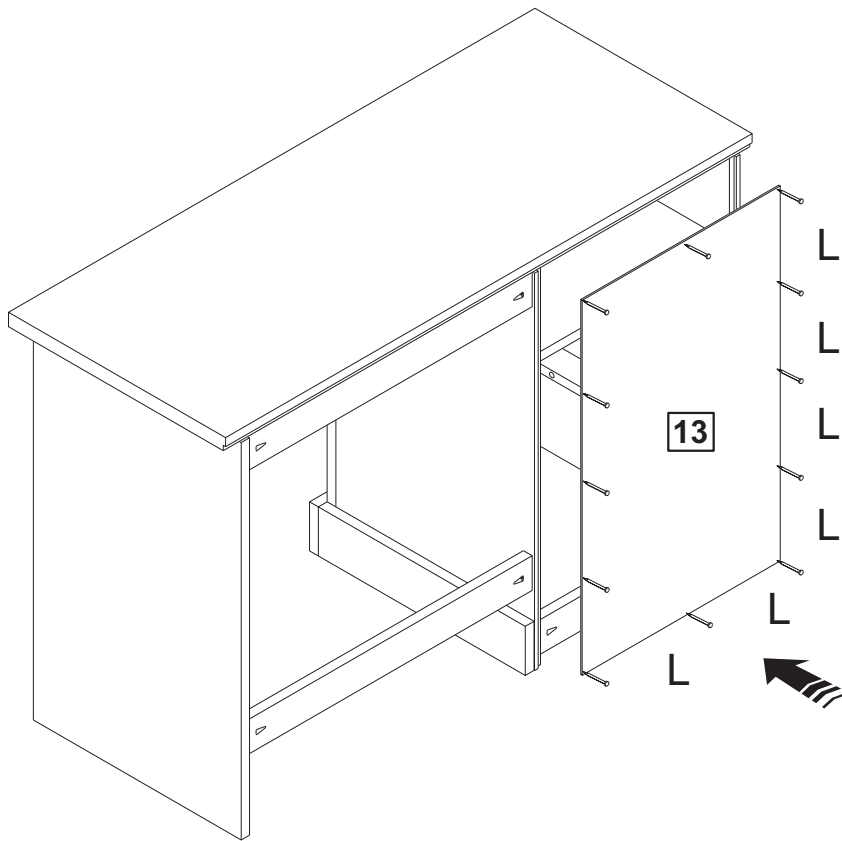
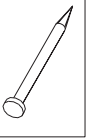


11

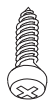
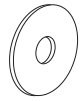



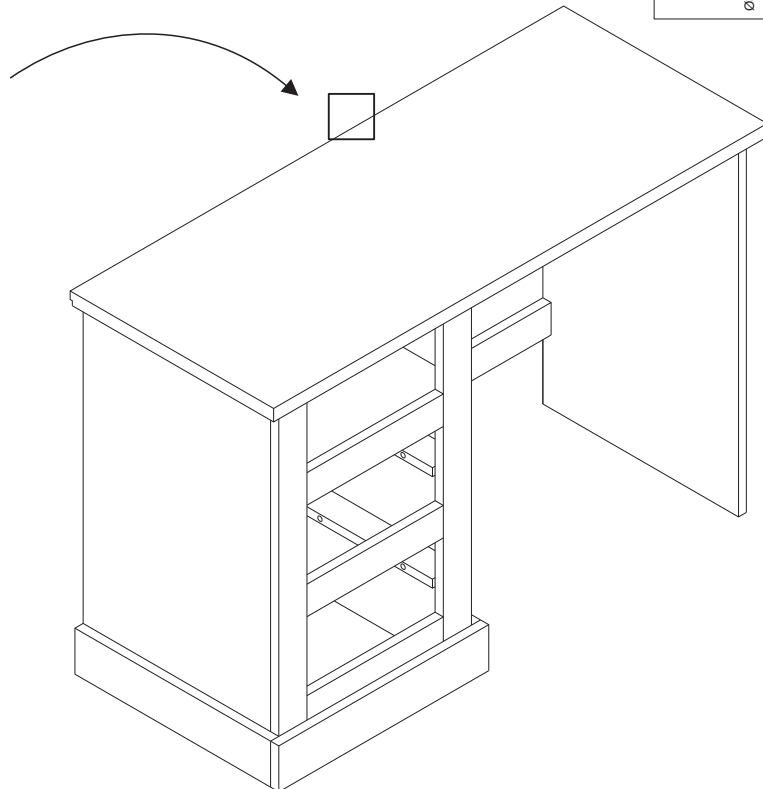
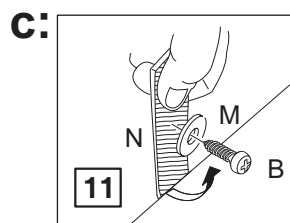
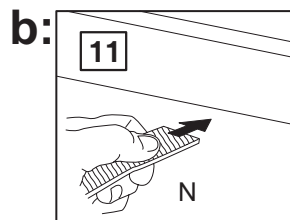
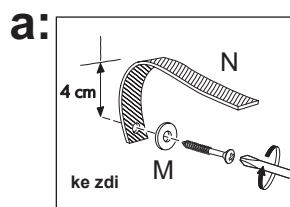
12

Lx28



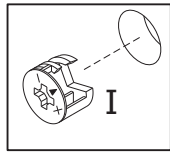
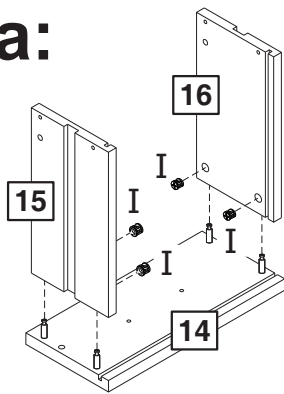
13

Bx1	Mx2	Nx1
 Ø3,5x14mm		

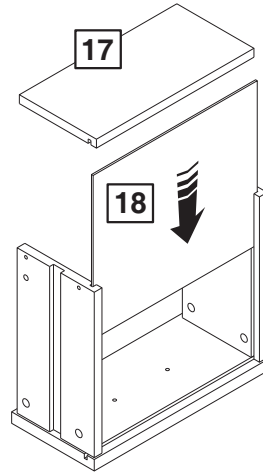


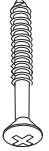



14

a:



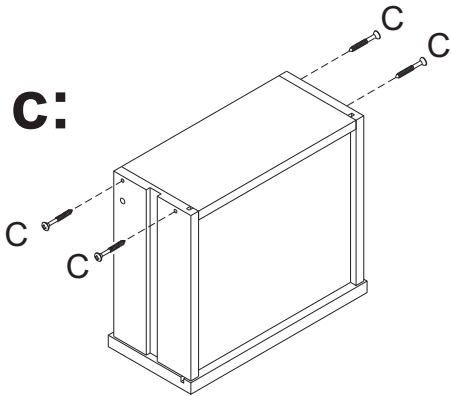
b:



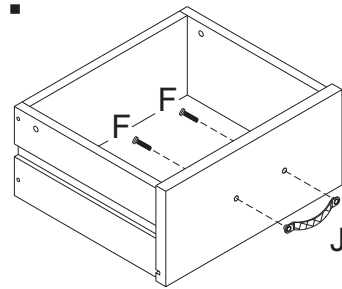
Cx8	Fx4
 Ø3.5x30mm	 ØM4x16mm
Ix8	Jx2
	

2x

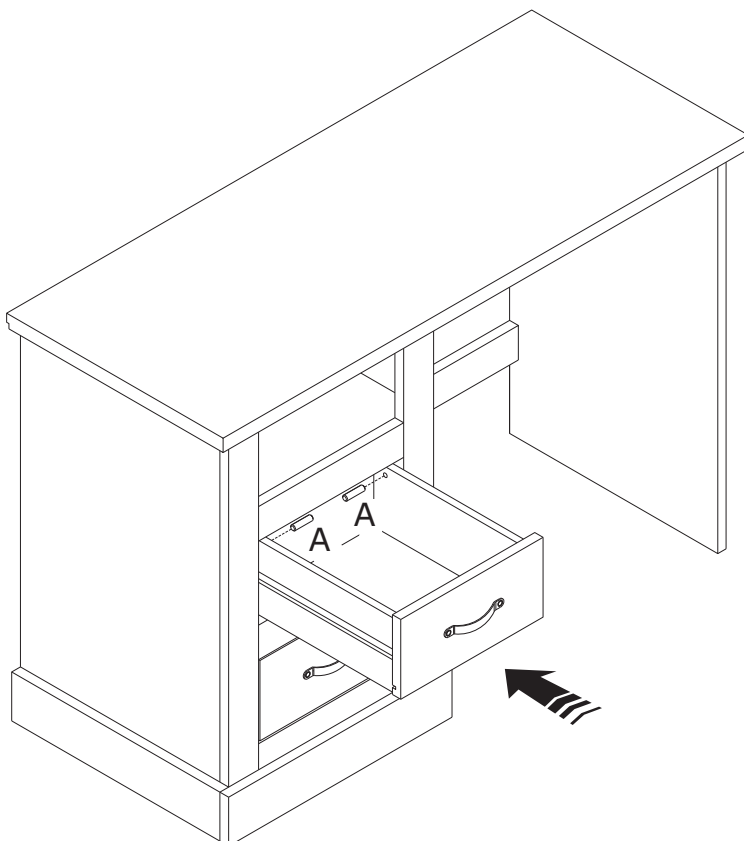
c:



d:



15



Ax4

