
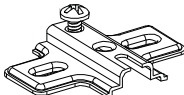

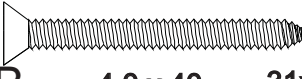
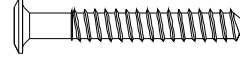


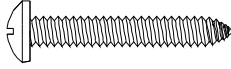
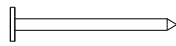


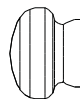
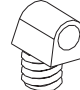
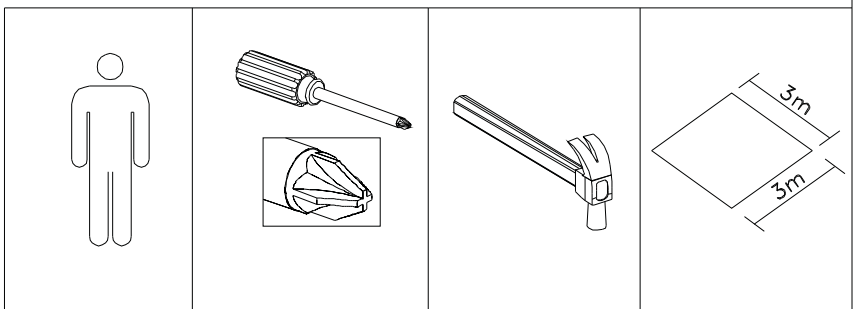
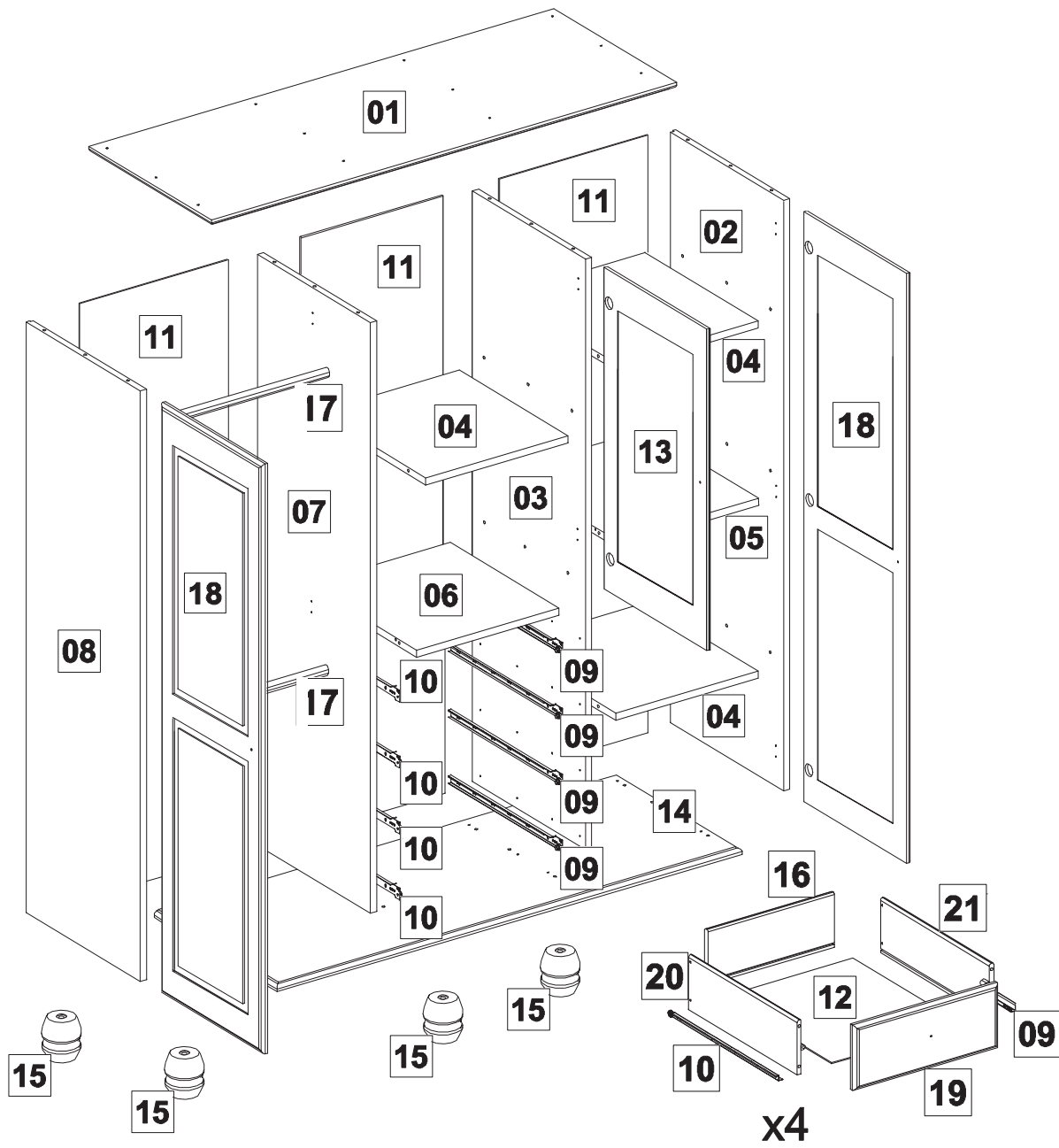
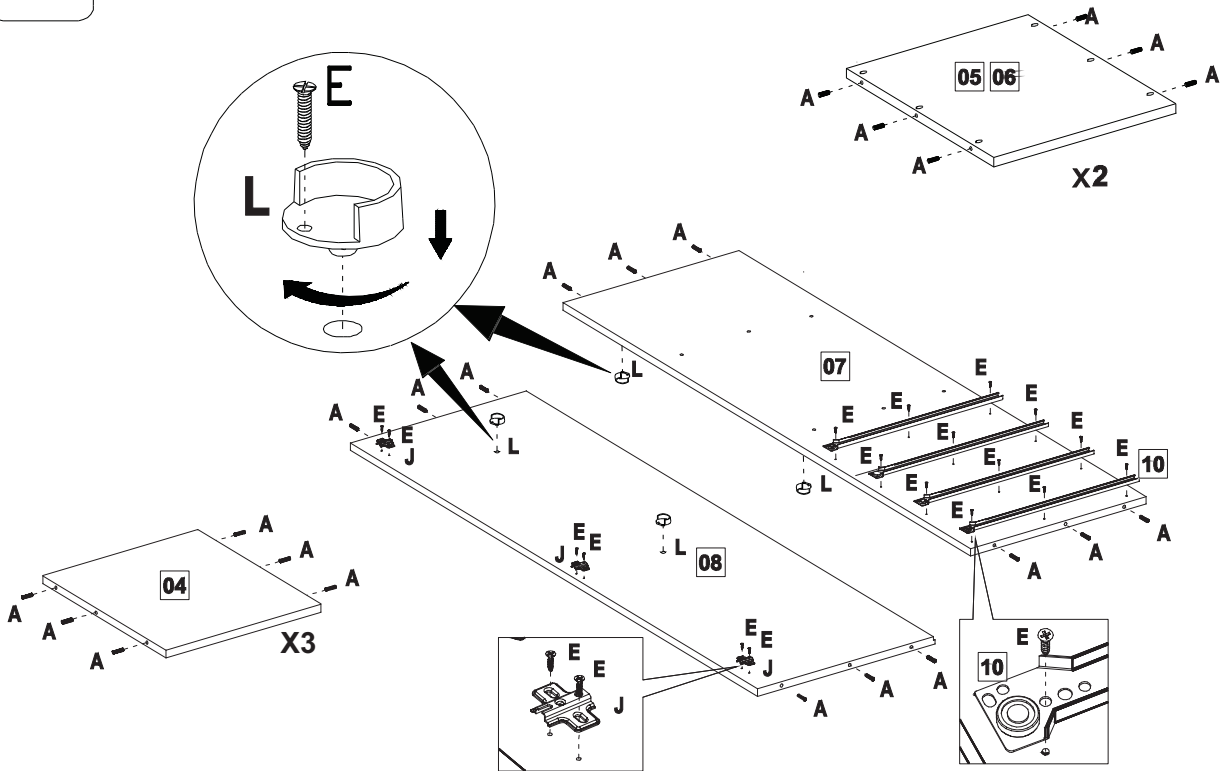


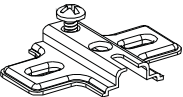

 <b>A</b> 8.0 x 25 70x	 <b>E</b> 3.5 x 14 84x	 <b>J</b> 08x	 <b>N</b> 20x
 <b>B</b> 4.0 x 40 31x	 <b>F</b> 7.0 x 50 04x	 <b>K</b> 08x	 <b>O</b> 3.5 x 35 12x
 <b>C</b> 4.0 x 25 24x	 <b>G</b> 10 x 10 66x	 <b>L</b> 04x	
 <b>D</b> 01x	 <b>H</b> 07x	 <b>M</b> 08x	

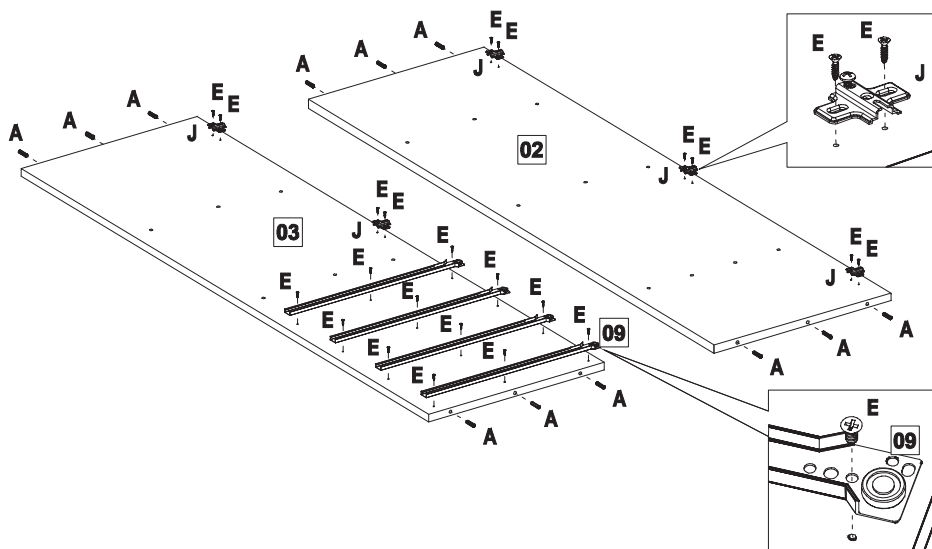


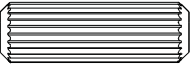

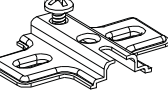
01



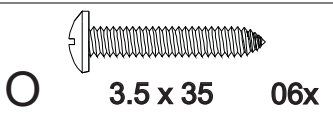
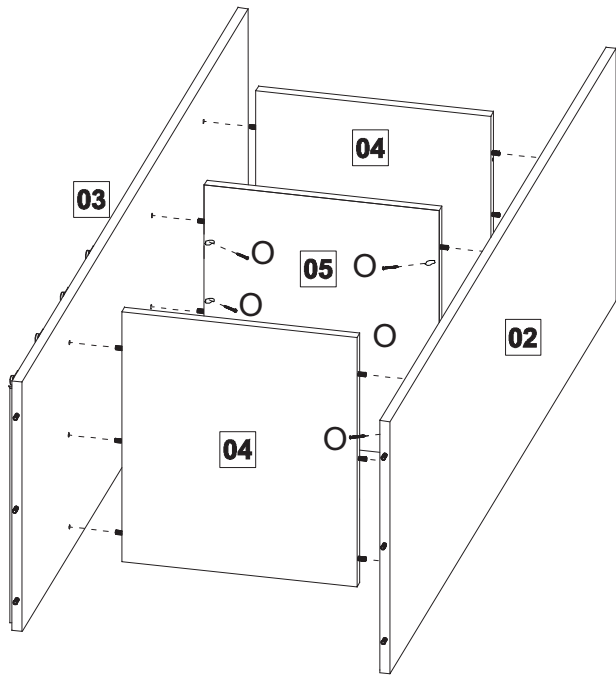
 <b>A</b> 8.0 x 25 42x	 <b>E</b> 3.5 x 14 22x	 <b>J</b> 03x	 <b>L</b> 04x
--	--	--	---

02

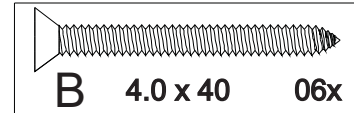
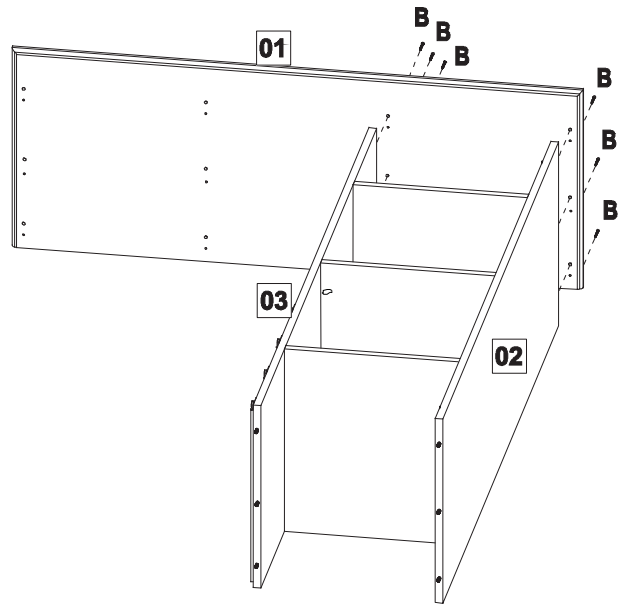


 <b>A</b> 8.0 x 25 12x	 <b>E</b> 3.5 x 14 22x	 <b>J</b> 05x
--	--	--

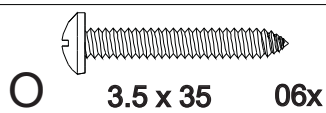
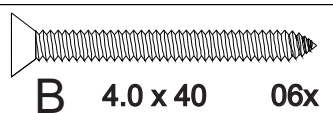
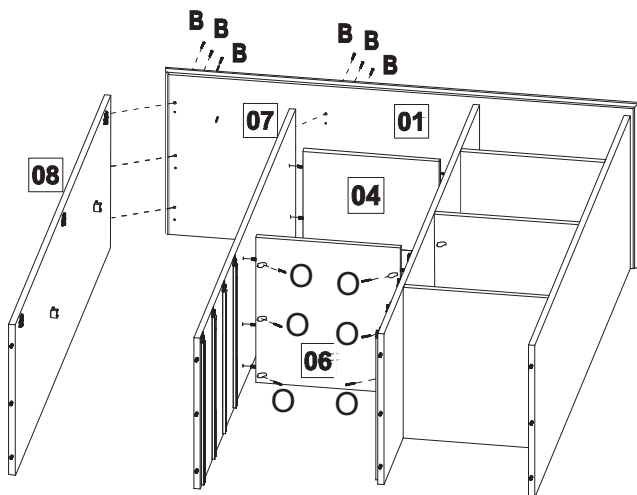
03



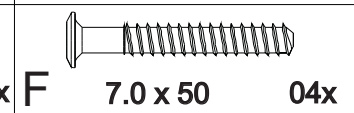
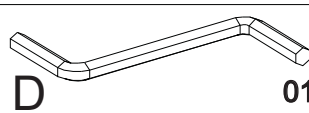
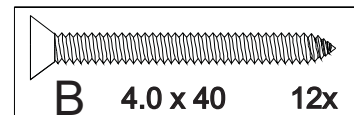
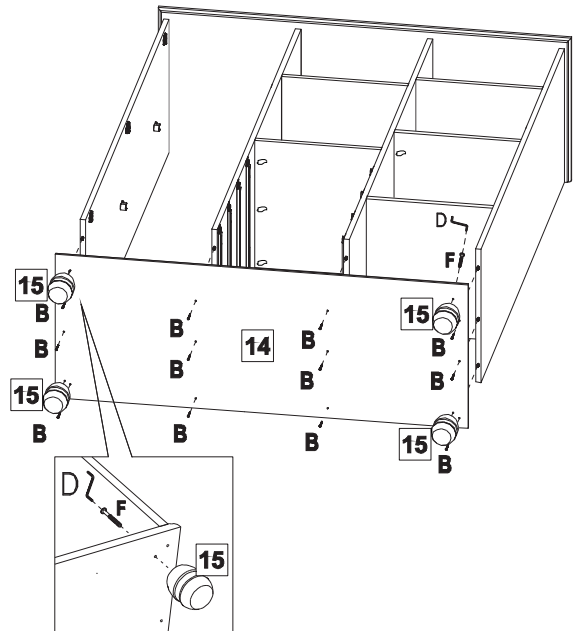
04



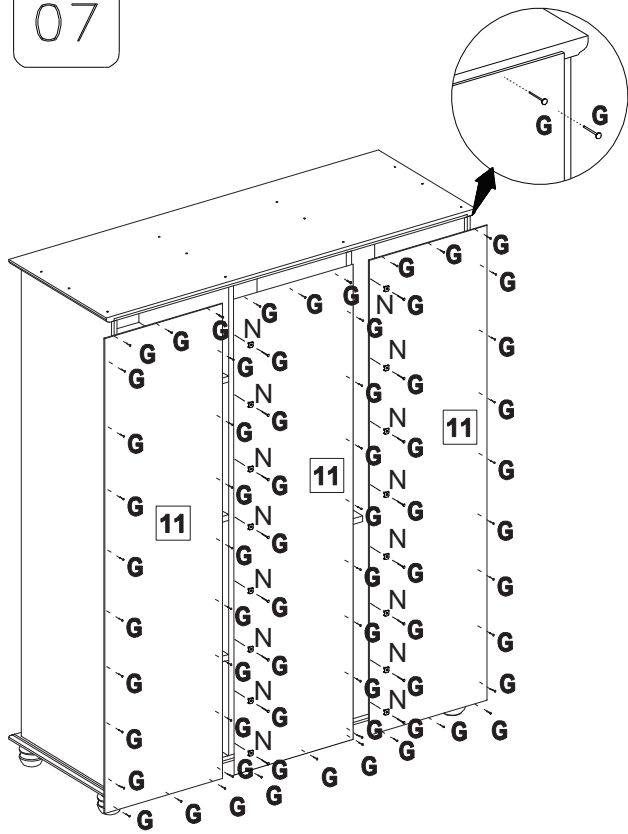
05



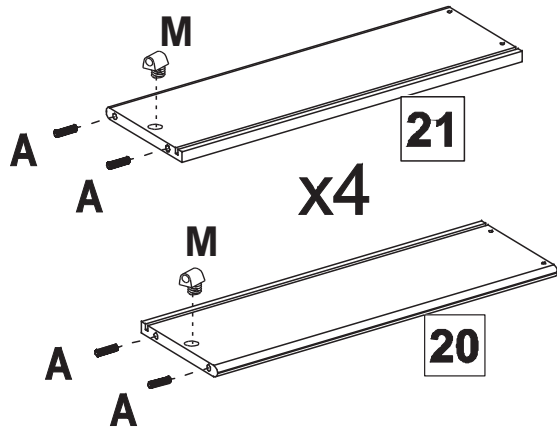
06




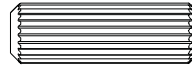
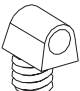
07



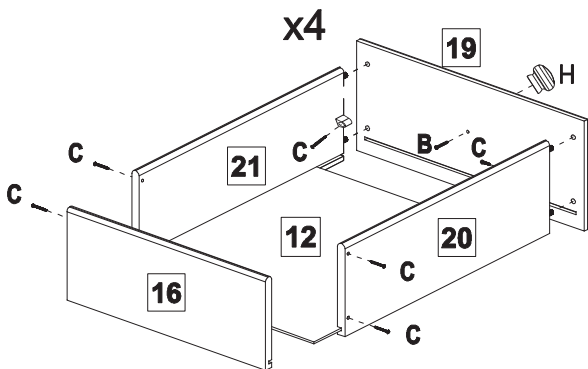
08






G 10 x 10 66x N  20x

A  8.0 x 25 16x M  08x

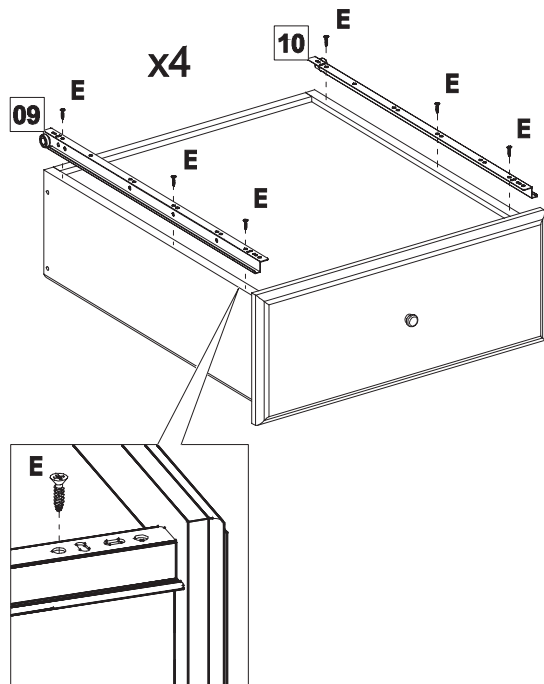
09



B  4.0 x 40 04x

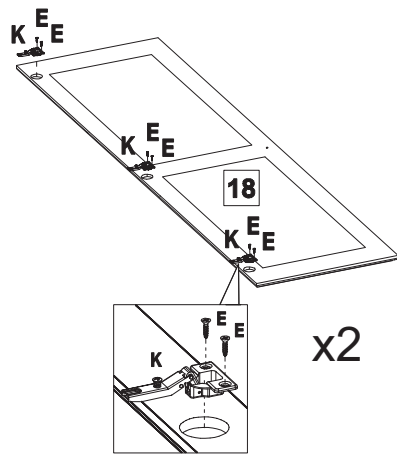
C  4.0 x 25 24x H  04x

10

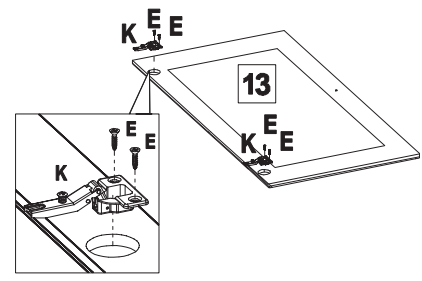



E  3.5 x 14 24x


11



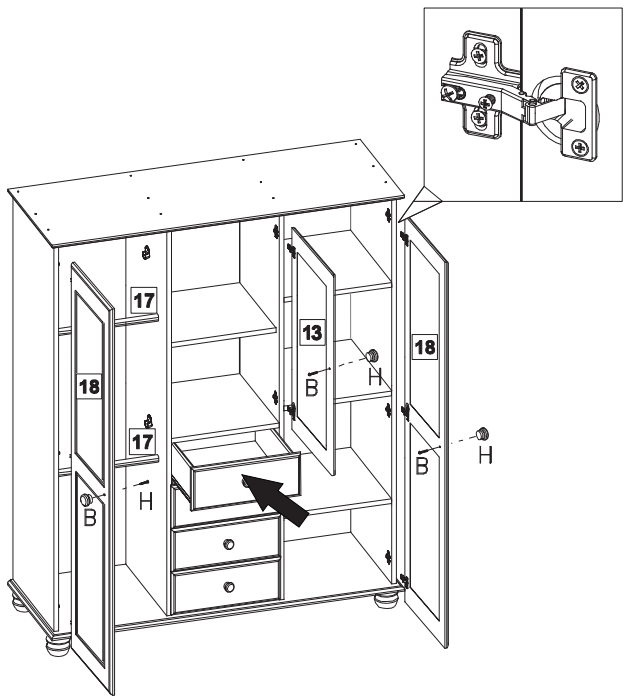
12



**E** 3.5 x 14 12x **K**  06x

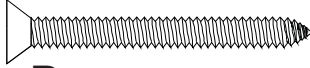
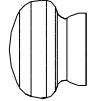
**E** 3.5 x 14 04x **K**  02x

13



14



**B**  4.0 x 40 03x **H**  03x