

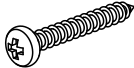

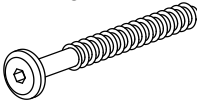
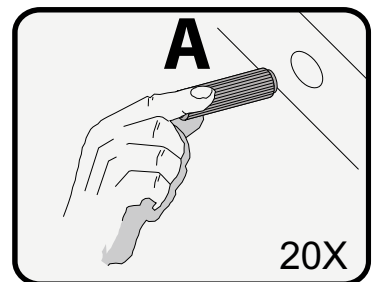
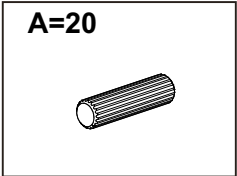
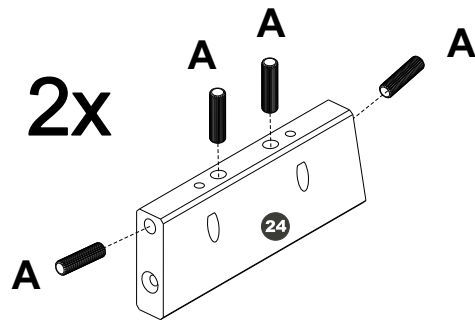
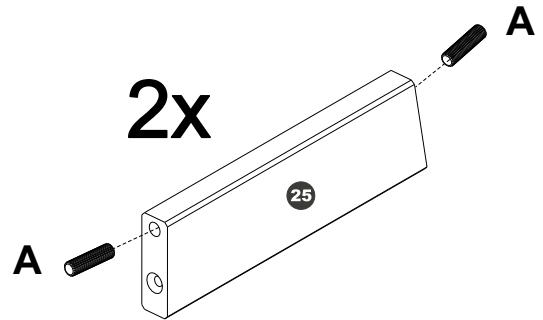
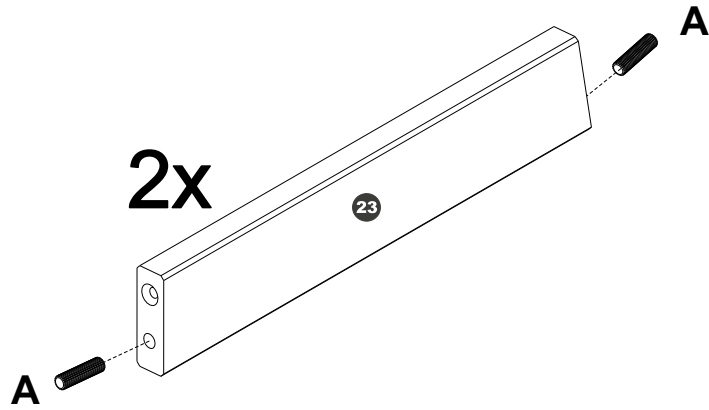
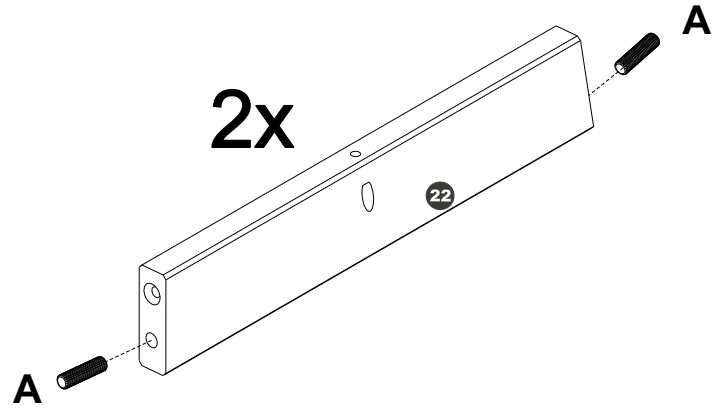


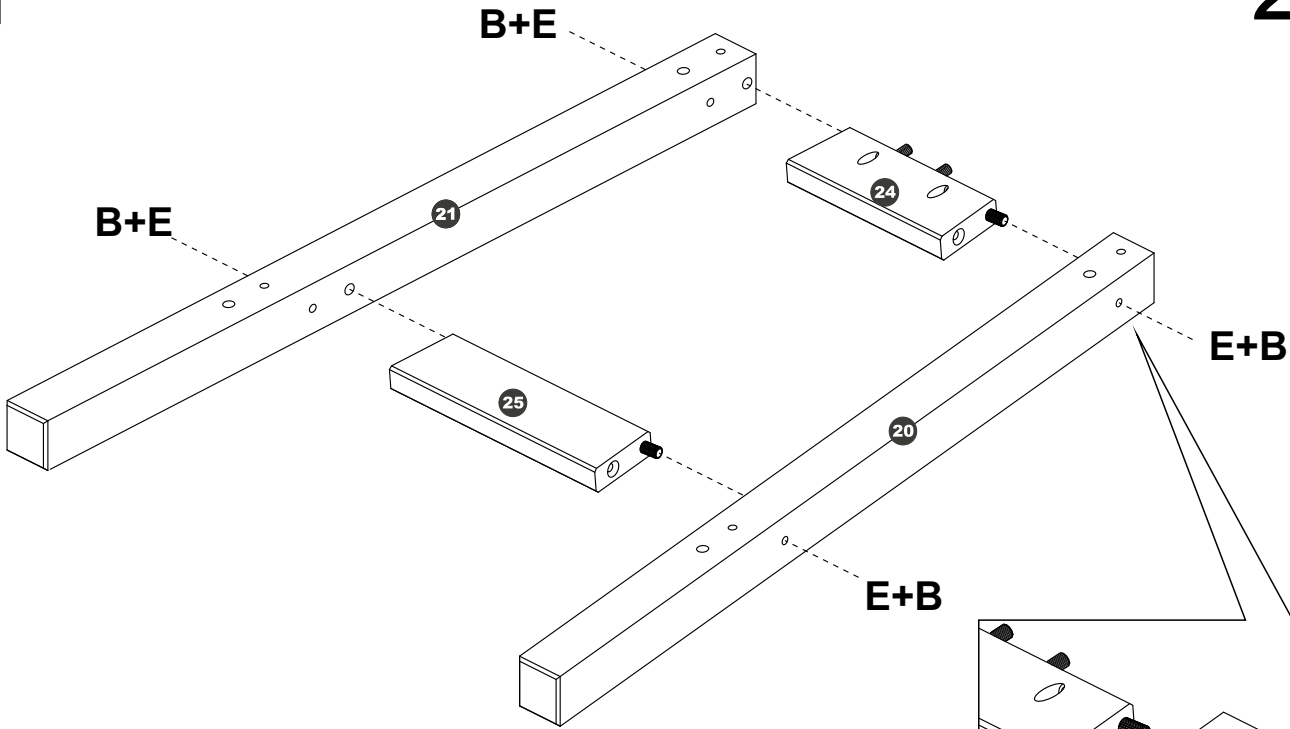
<p>A=20</p>  <p>8,0 x 30mm</p>	<p>B=01</p> 	<p>C=06</p>  <p>4,0 x 35mm</p>	<p>D=04</p> 	<p>E=16</p>  <p>7,0 x 70mm</p>
--	--	--	---	--


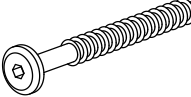
1

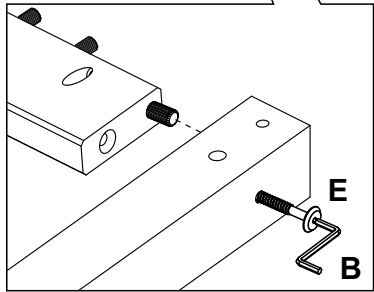


2

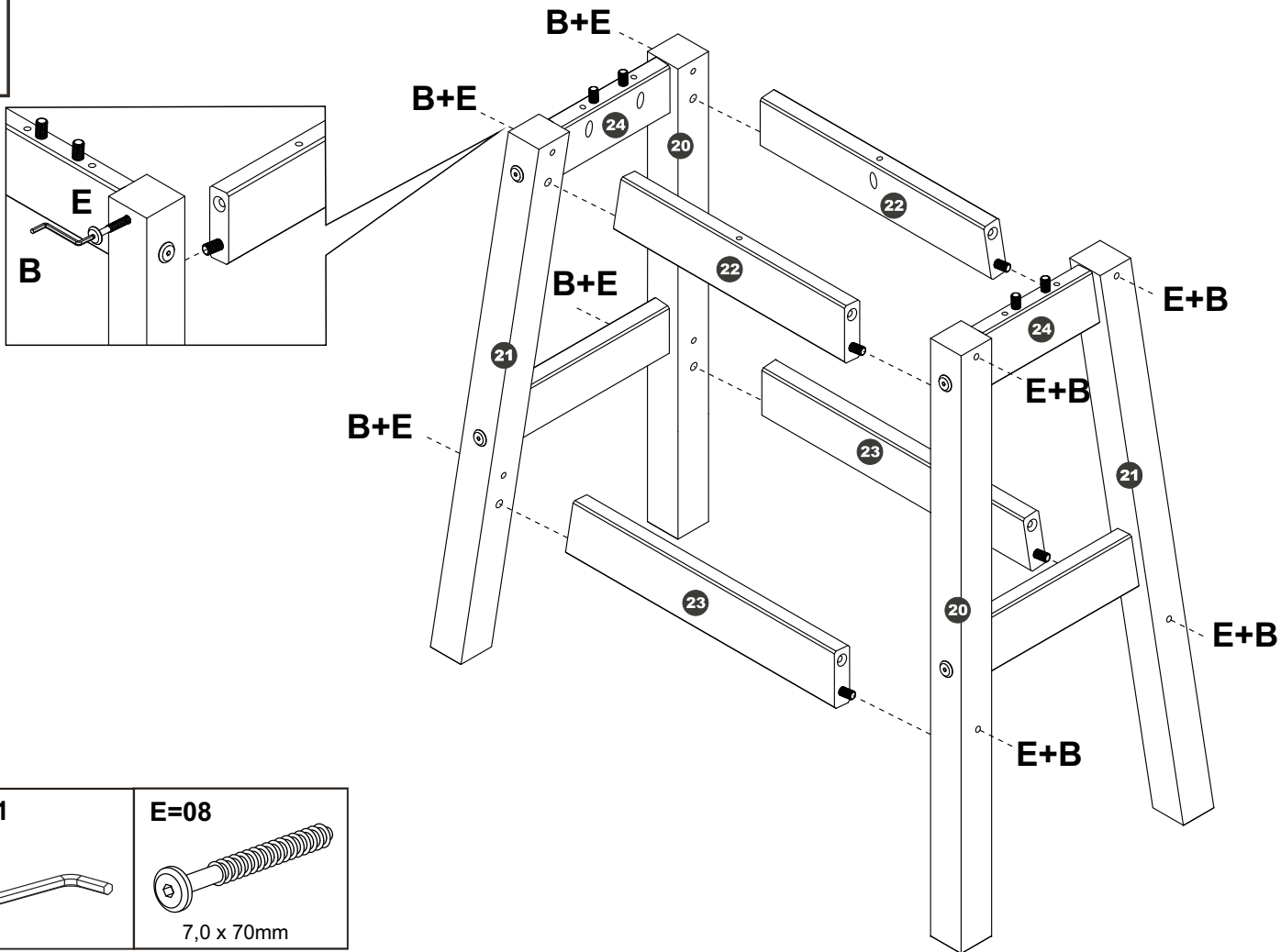
2x


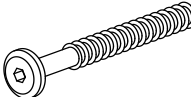


<p>B=01</p> 	<p>E=08</p>  <p>7,0 x 70mm</p>
---	---

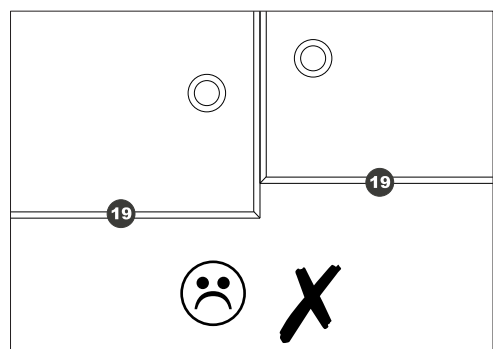
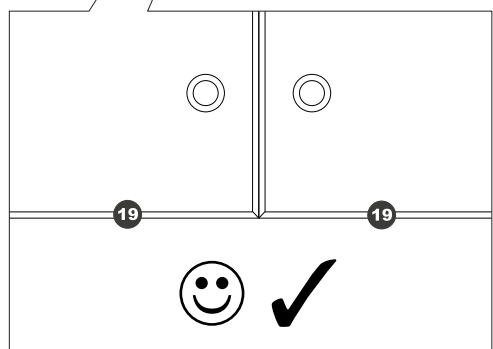
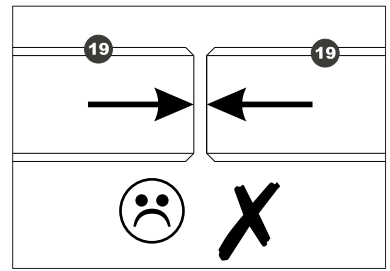
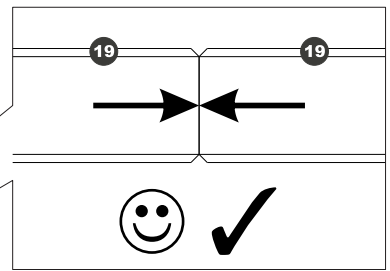
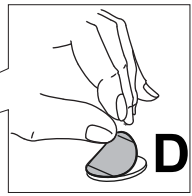
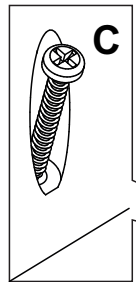
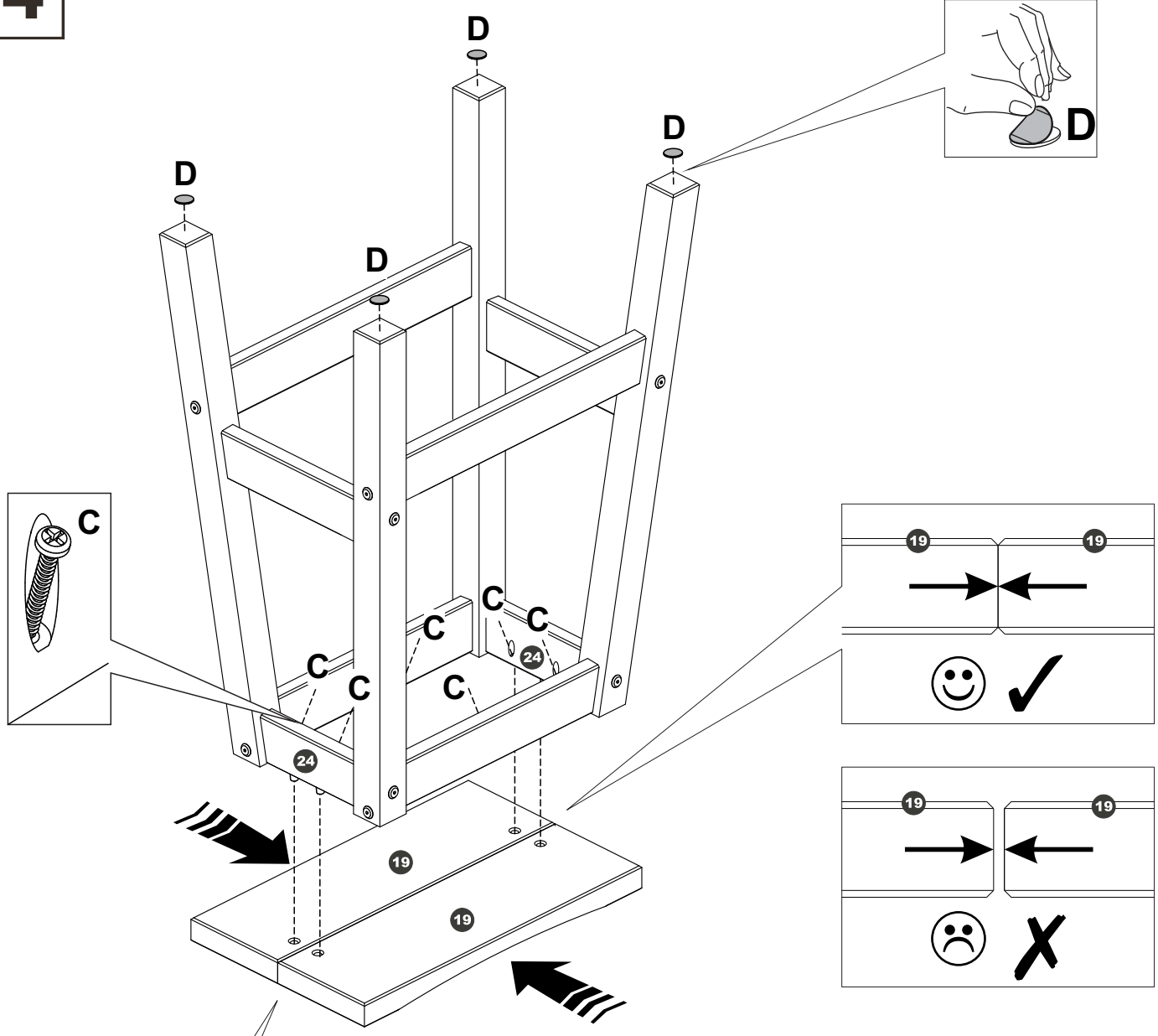



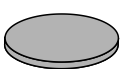
3



<p>B=01</p> 	<p>E=08</p>  <p>7,0 x 70mm</p>
---	--

4



C=06  4,0 x 35mm	D=04 
--	--

