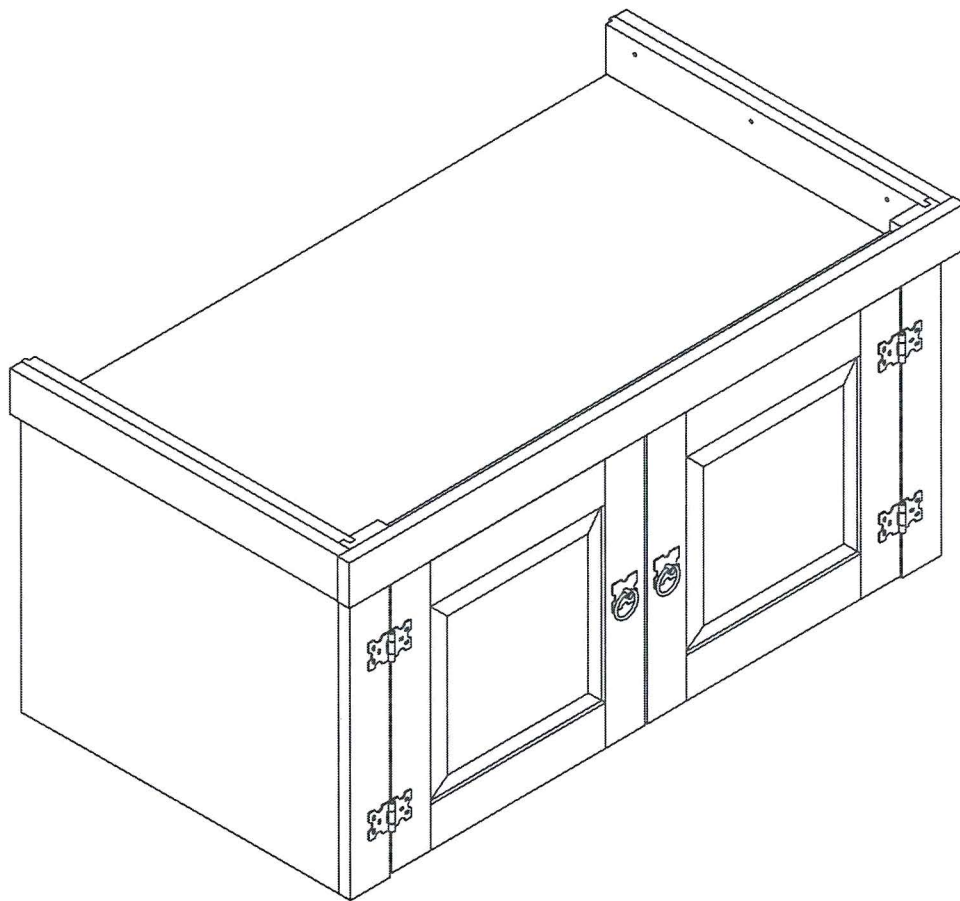
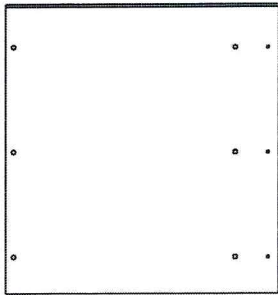
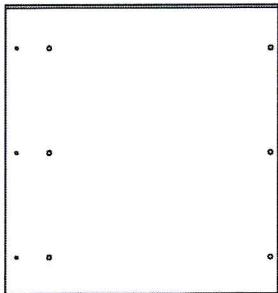


Ref.: 1555

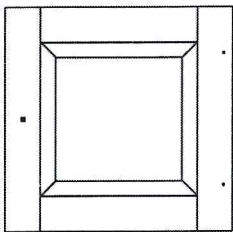




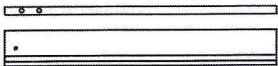
1 50 x 53cm



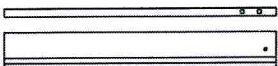
2 50 x 53cm



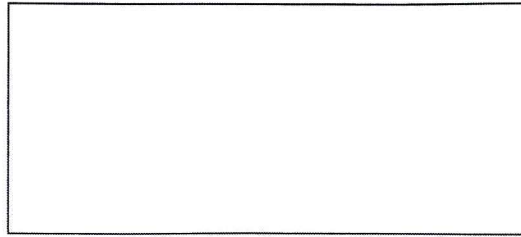
3 41,2 x 41,8cm
(2x)



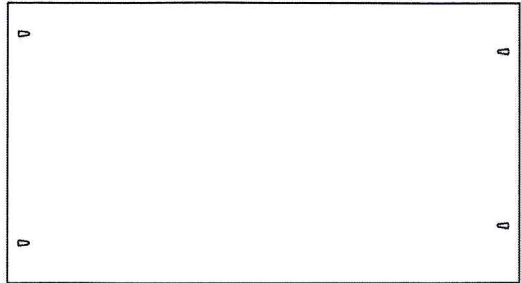
4 50 x 6,5cm



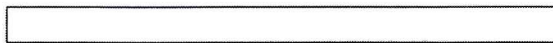
5 50 x 6,5cm



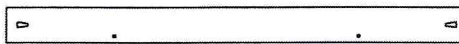
6 95,8 x 42,2cm



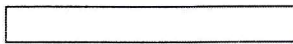
7 94 x 51,4cm (2x)



8 101,5 x 6,5cm



9 84,6 x 6,5cm



10 53,8 x 6,5cm (2x)

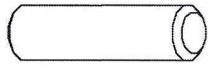


11 26 x 2cm (2x)



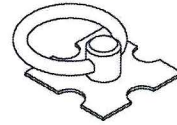
12 10 x 2cm (4x)

A x 16

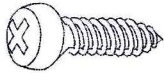


Ø8x30mm

F x 2

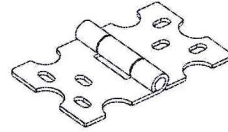


B x 33

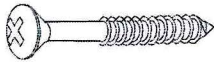


Ø3,5x14mm

G x 4

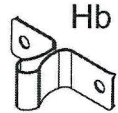
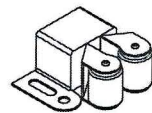


C x 10

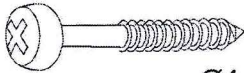


Ø3,5x30mm

H x 2

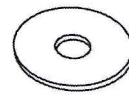


D x 30



Ø4,0x35mm

J x 2

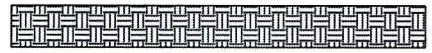


E x 2

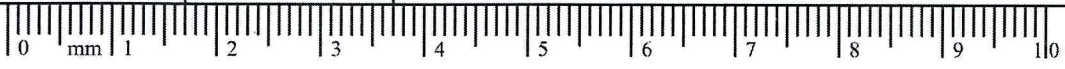
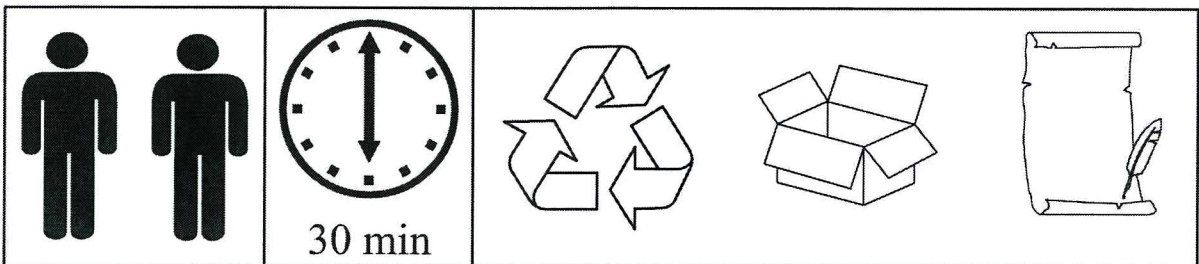
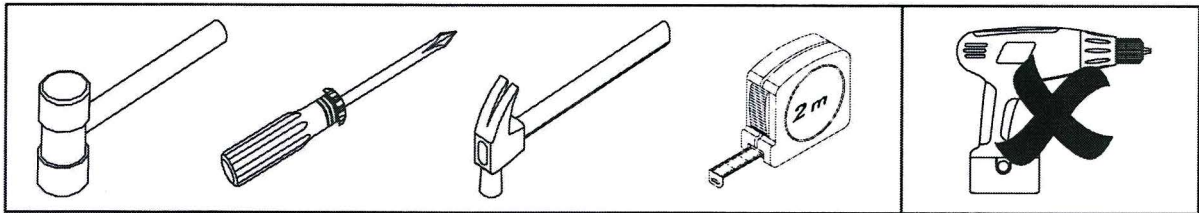
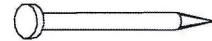


Ø4,8x19mm

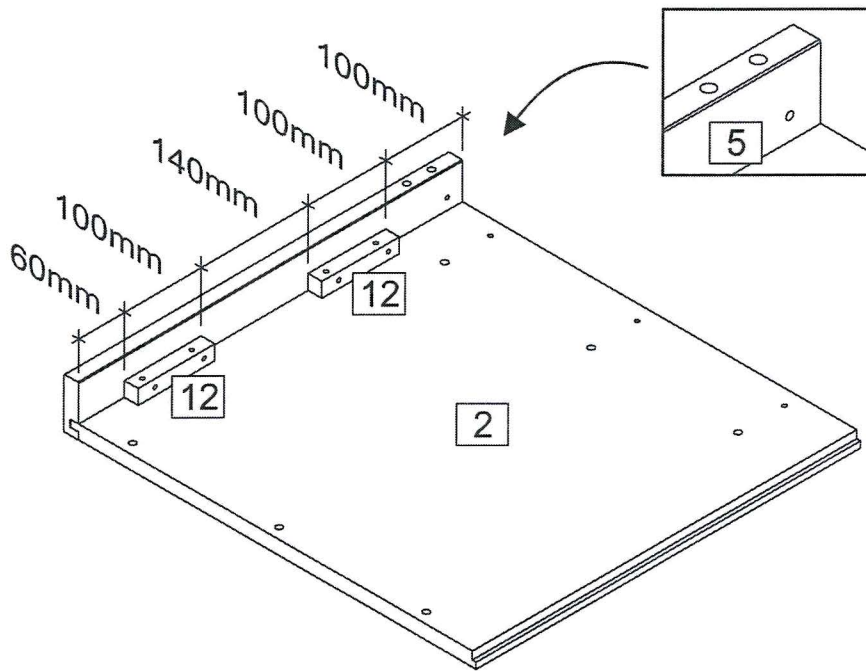
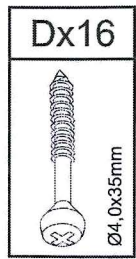
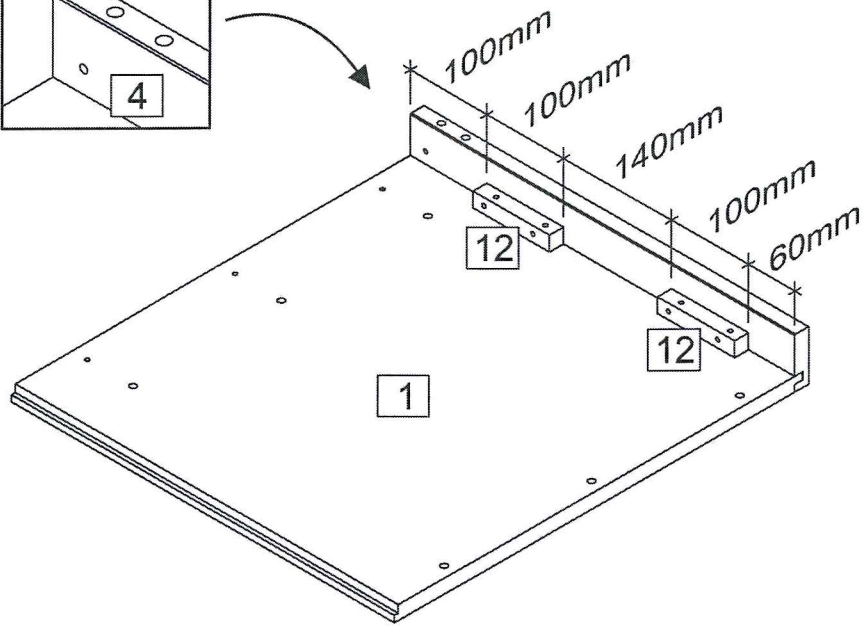
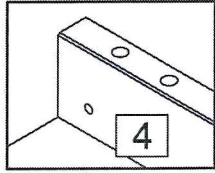
K x 1



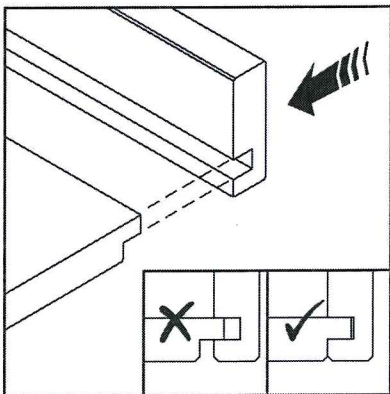
L x 20



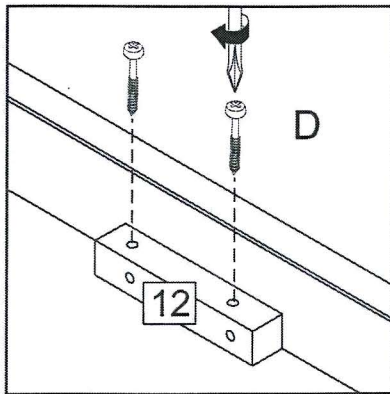
1



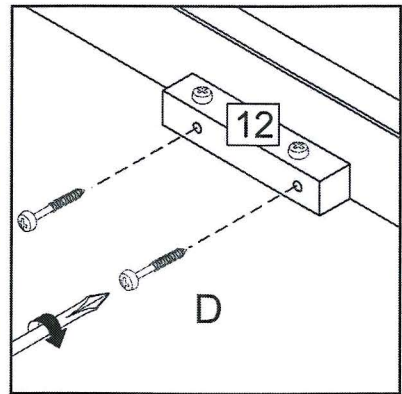
a:



b:

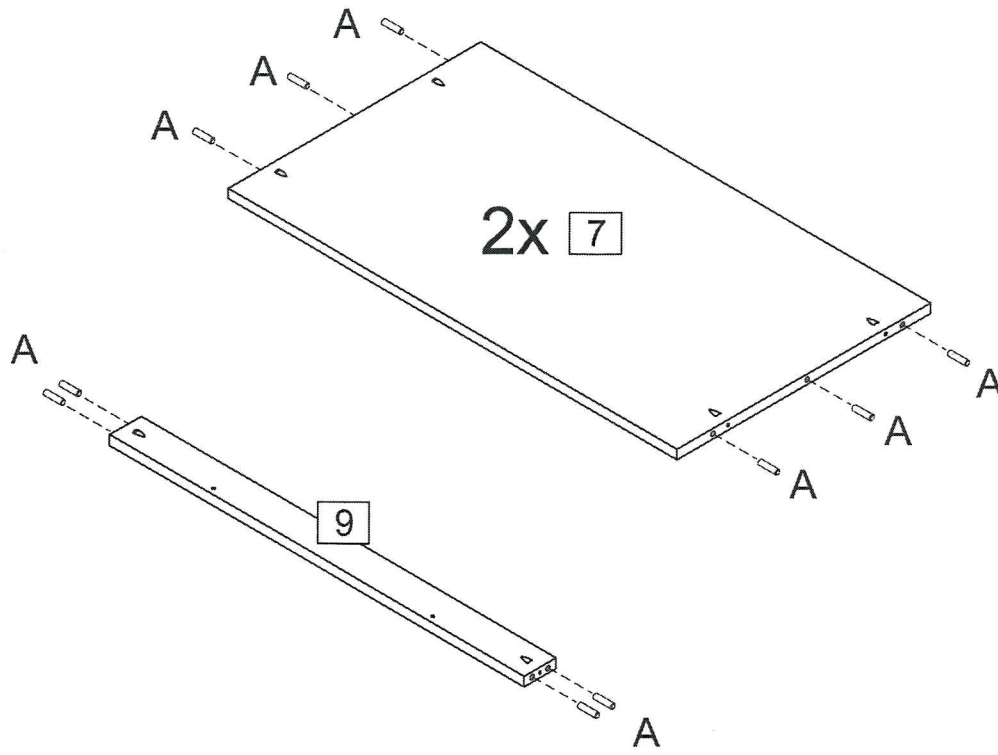
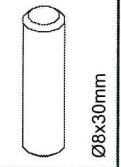


c:

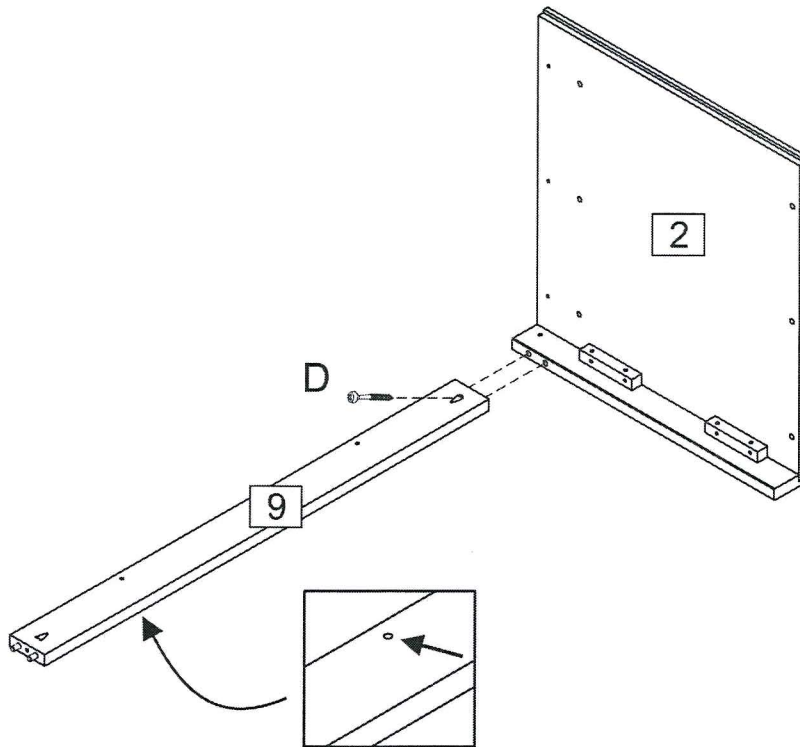


2

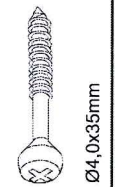
Ax16



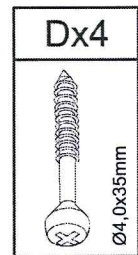
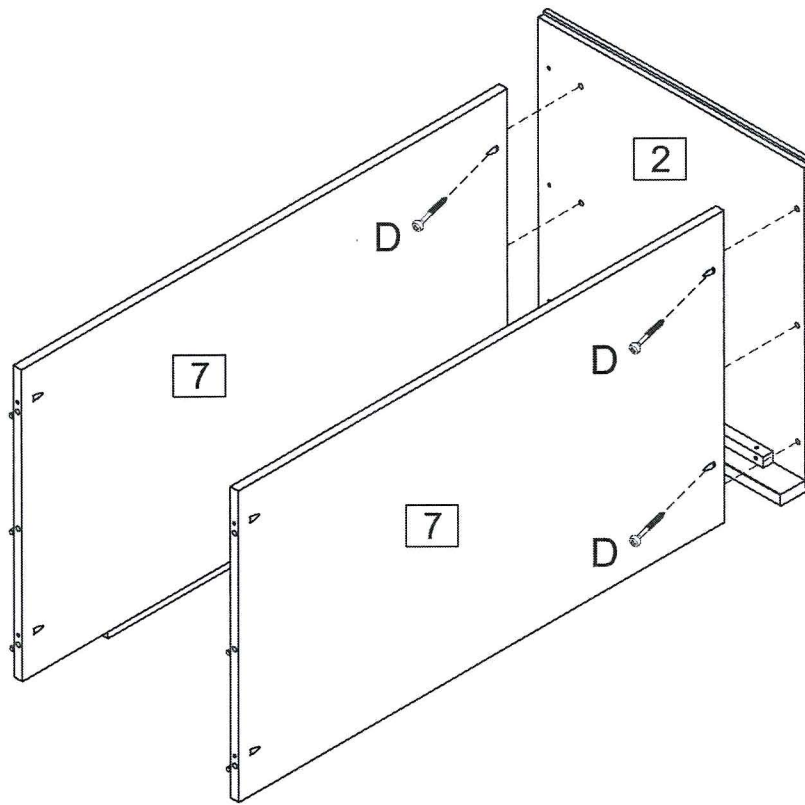
3



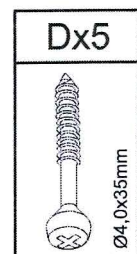
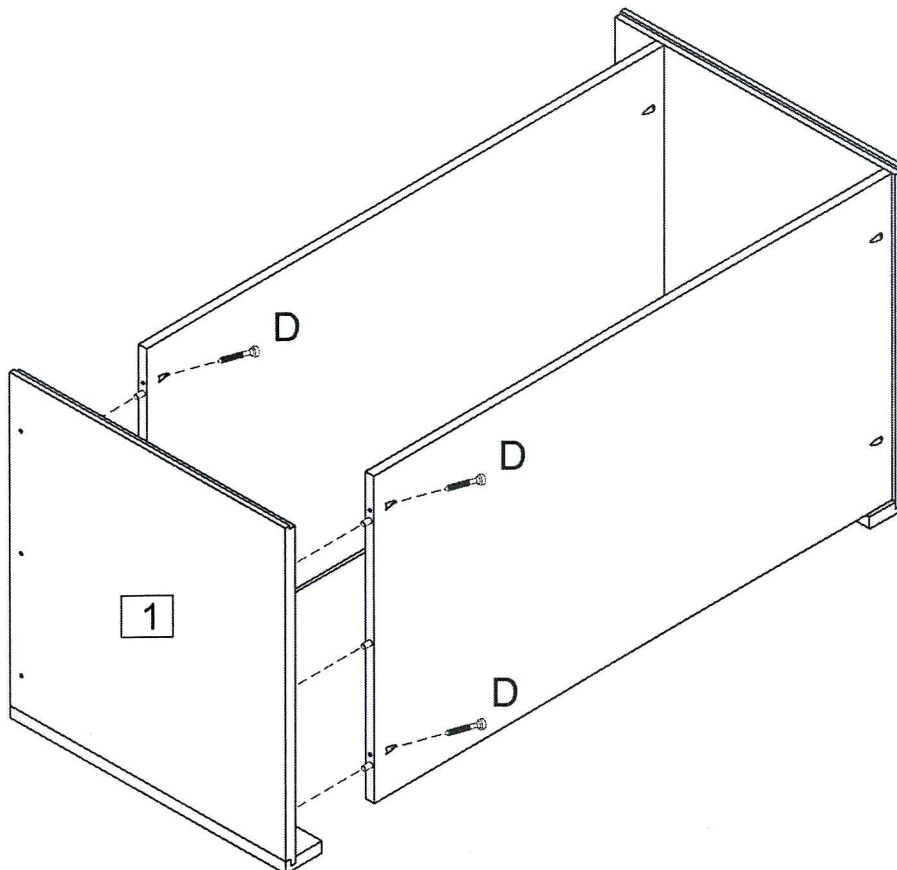
Dx1



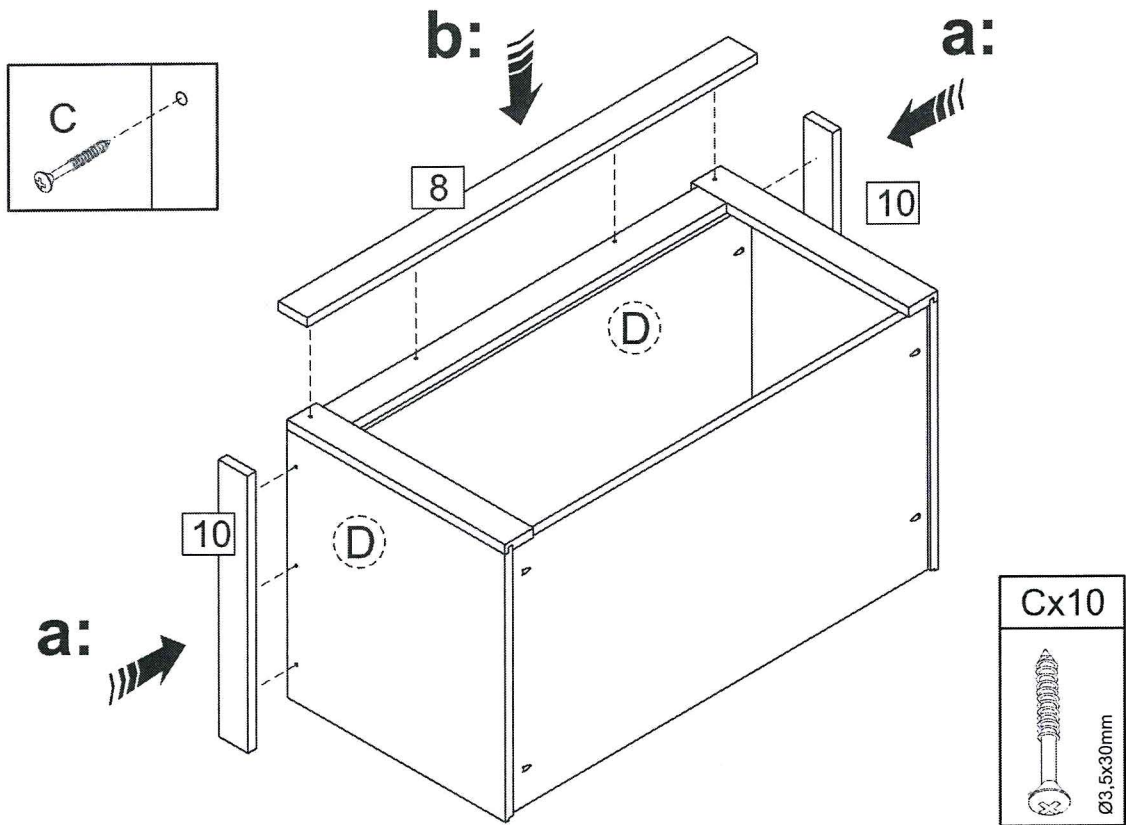
4



5







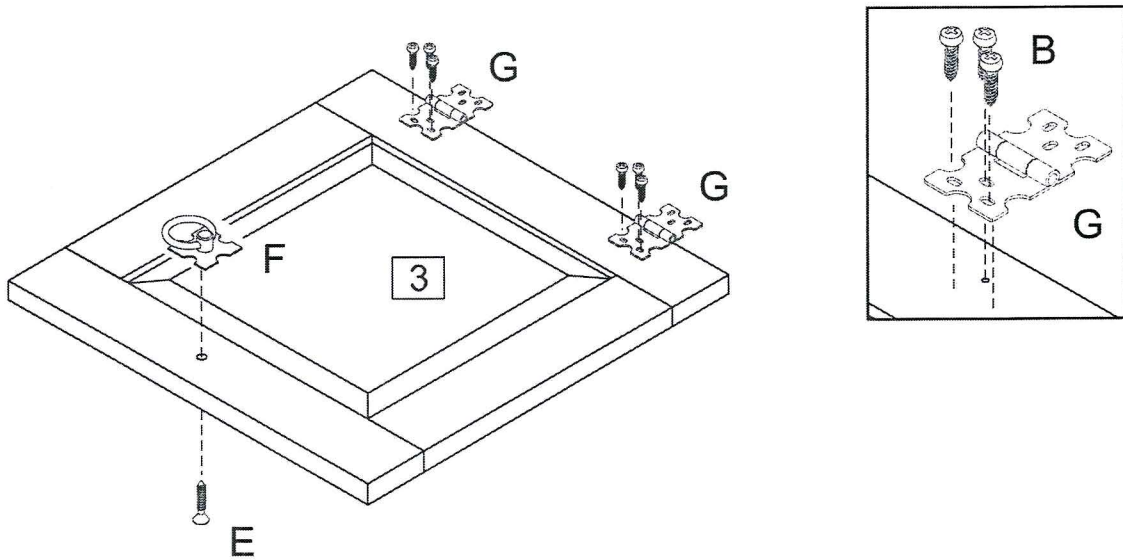
6



7

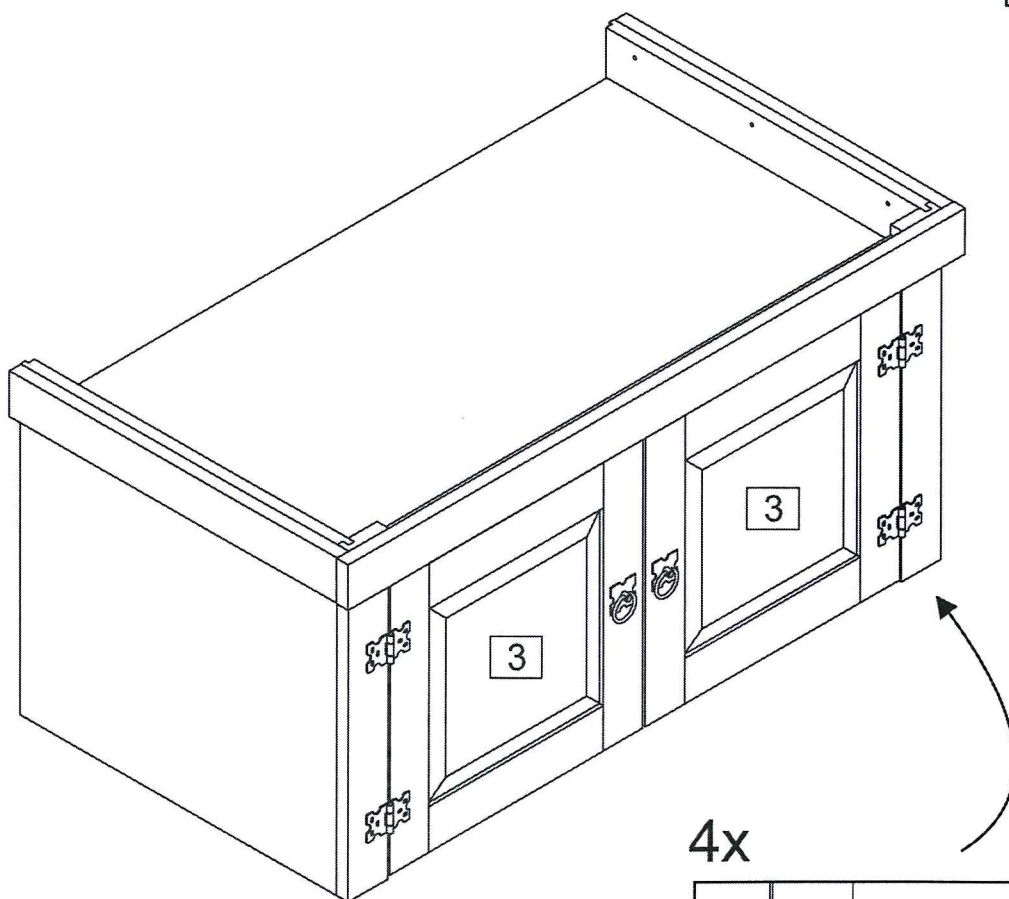
2x

Bx12	Ex2	Fx2	Gx4
 Ø3.5x14mm	 Ø4.8x19mm		

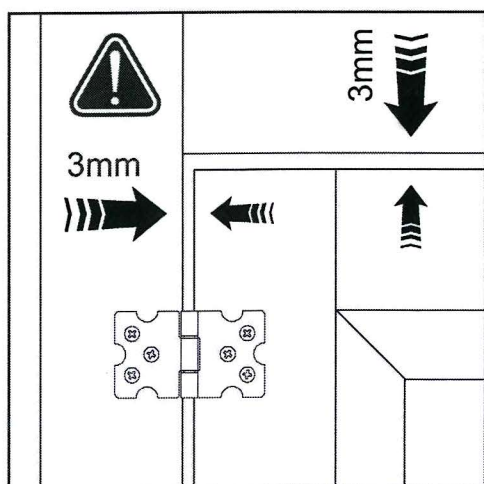
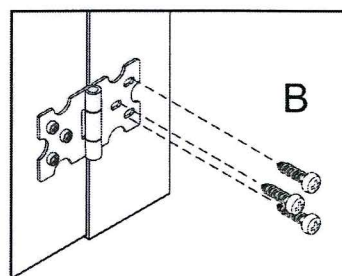


8


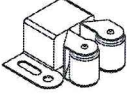
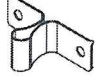
Bx12

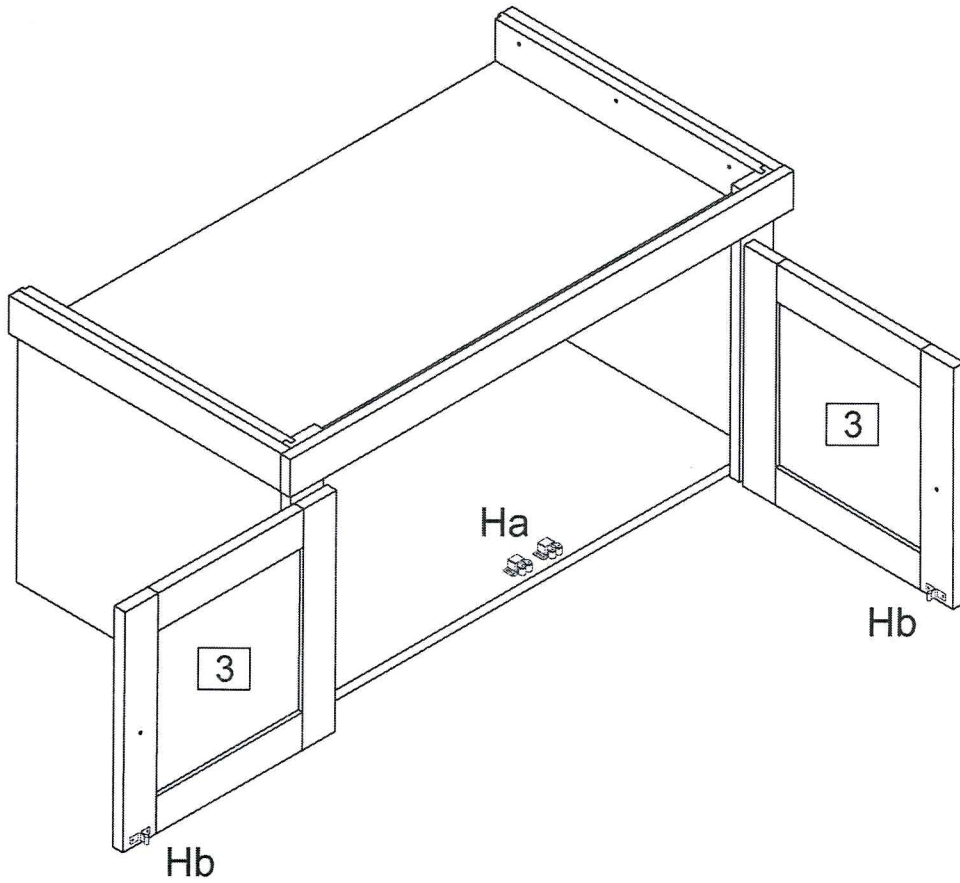


4x

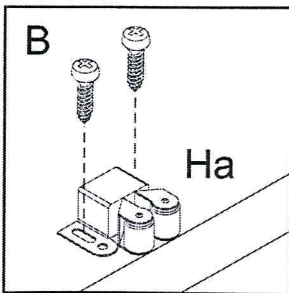


9

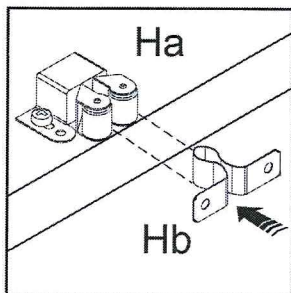
Bx8	Hax2	Hbx2
 Ø3,5x14mm		



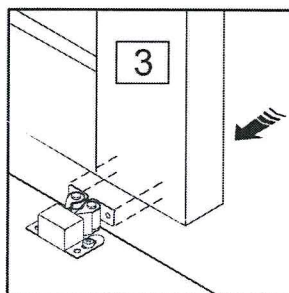
a:



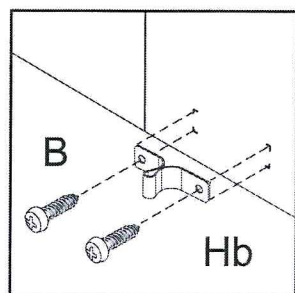
b:



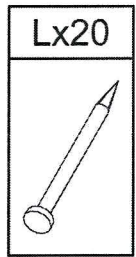
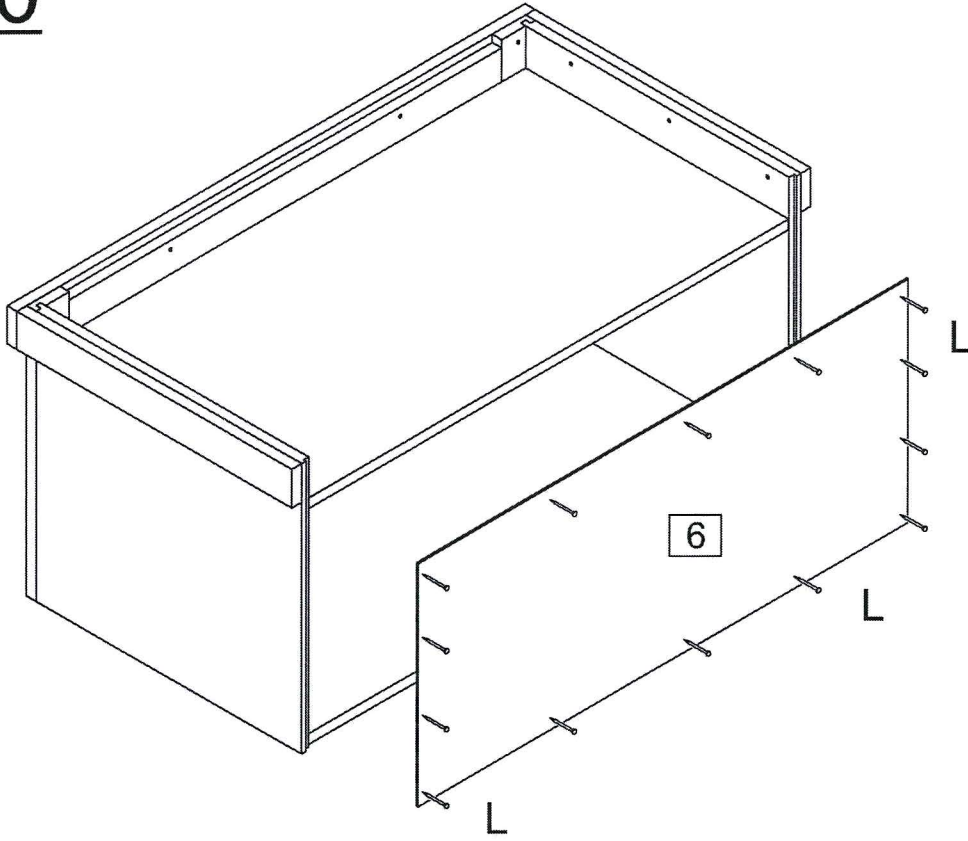
c:



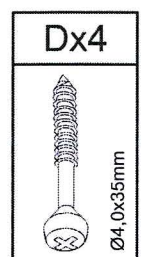
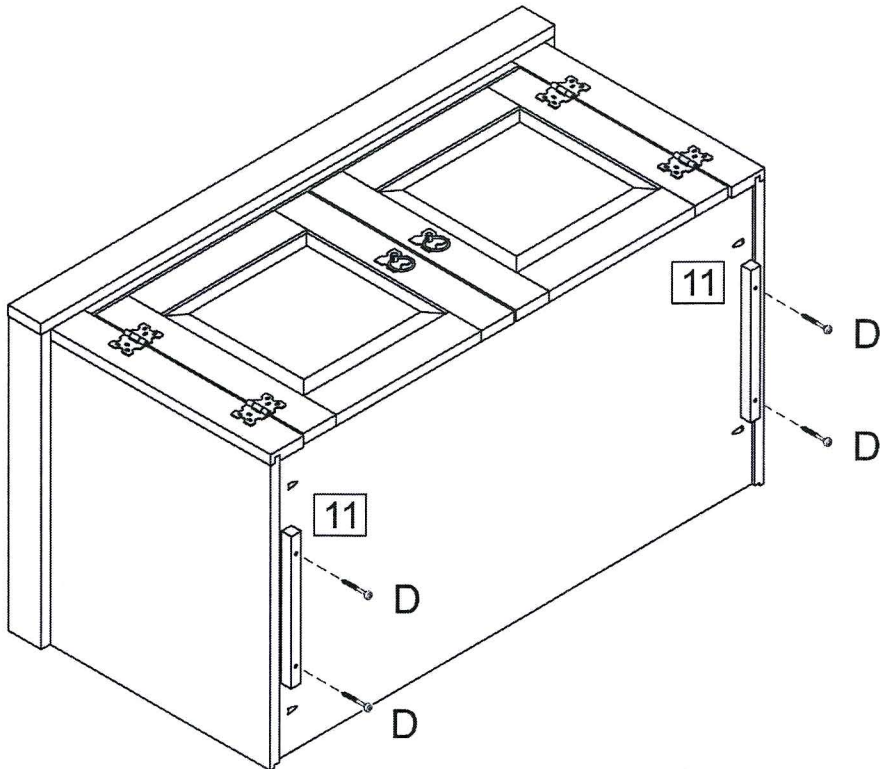
d:




10



11



12

Bx1	Jx2	Kx1
 Ø3.5x14mm	