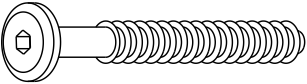
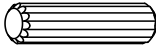



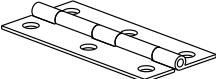
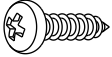
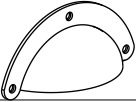
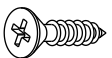

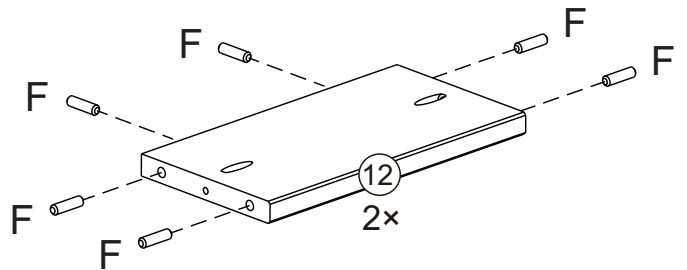
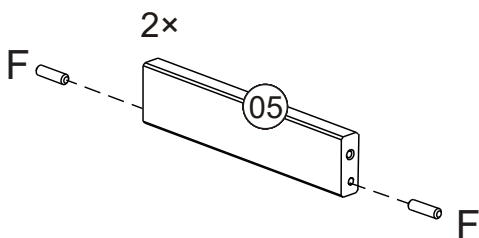
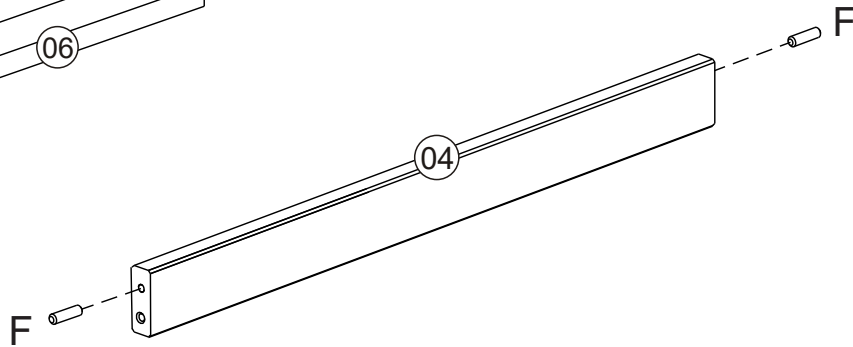
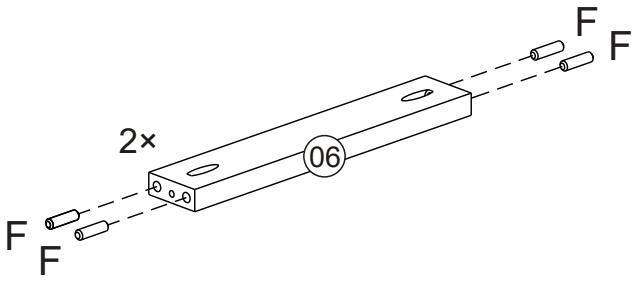
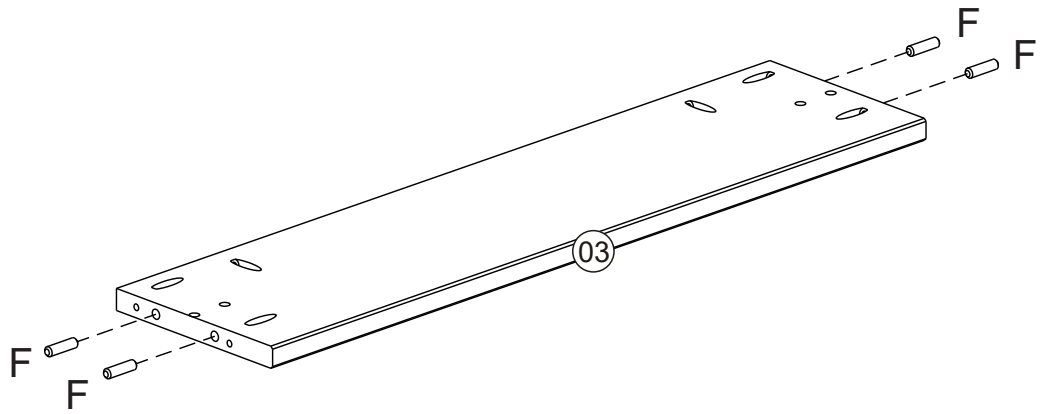
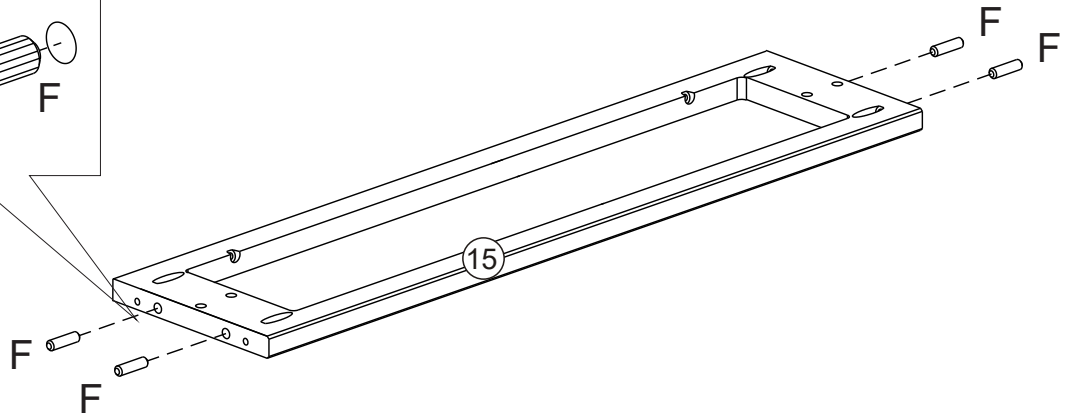
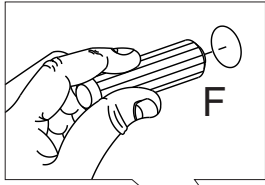
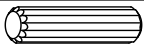


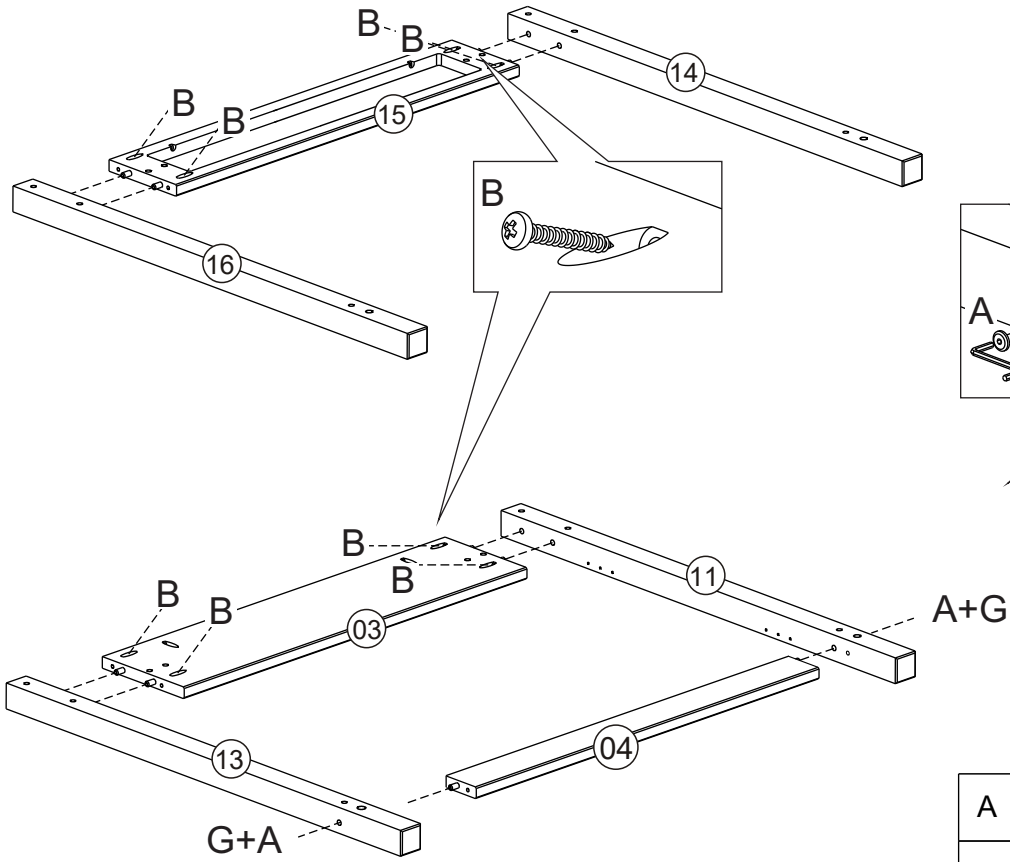
A	 7,0 × 70 mm	46	F	 8,0 × 30 mm	68
B	 4,0 × 35 mm	28	G		01
C	 3,5 × 30 mm	08	H		06
D	 3,5 × 16 mm	06	I		02
E	 4,0 × 16 mm	36	J		14




01



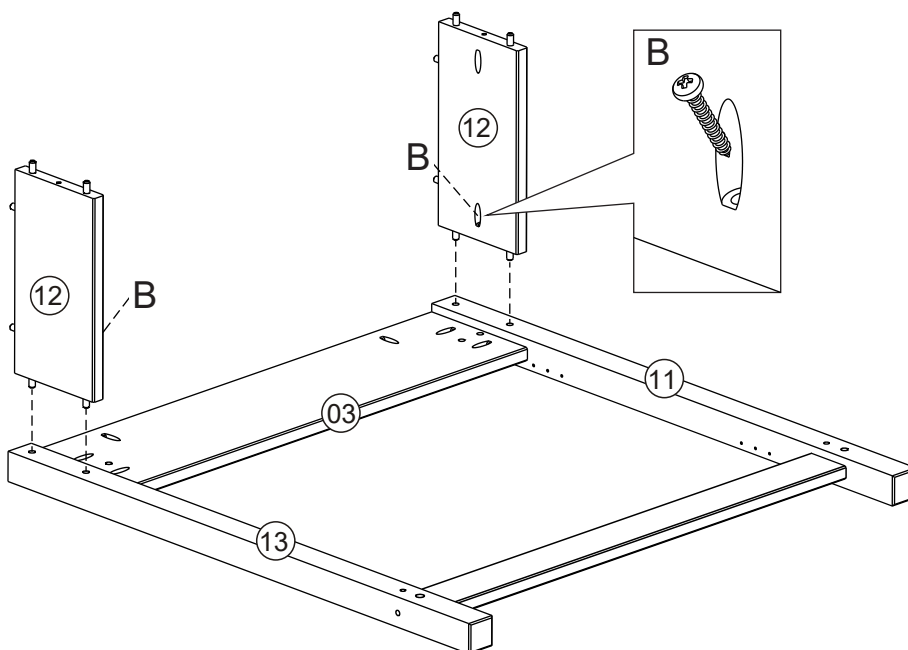
F		8,0 x 30 mm	34
---	---	-------------	----


02



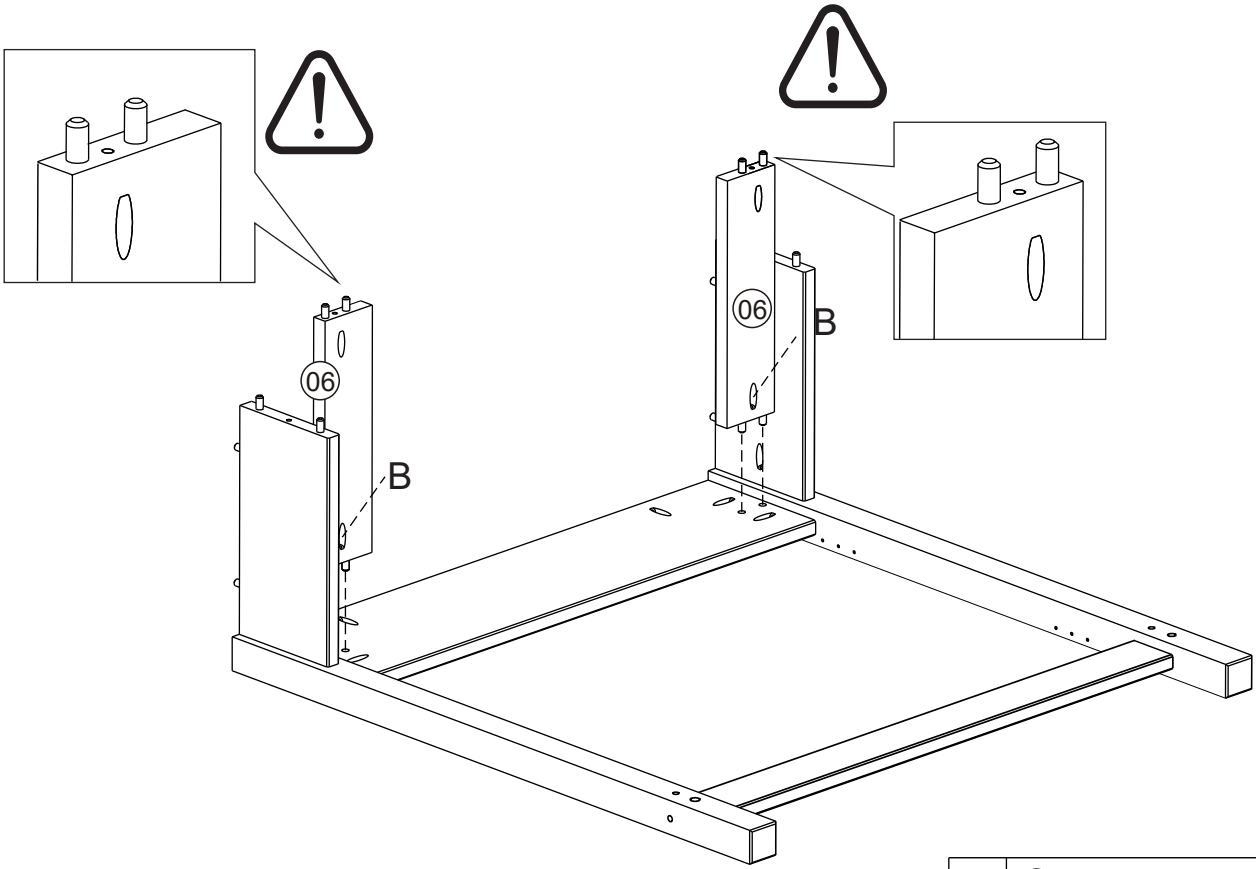
A		02
B		08
G		01

03



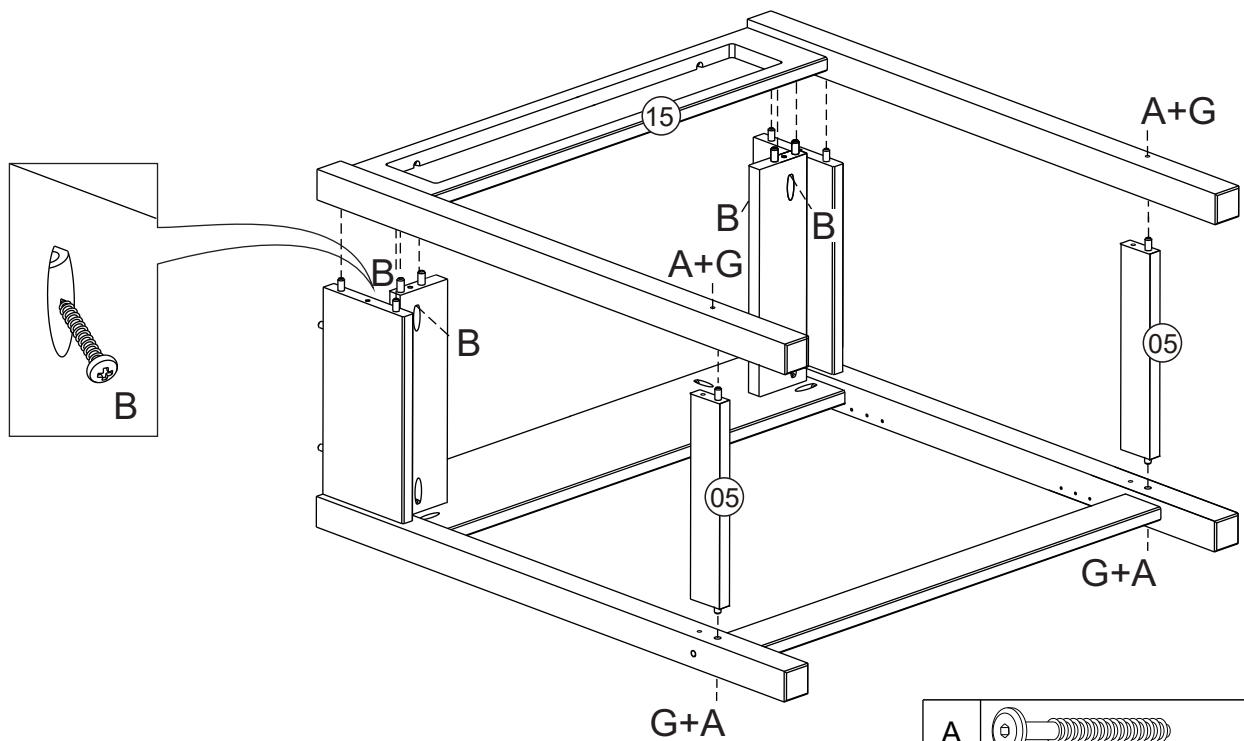
B		02
---	---	----

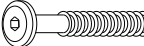


04



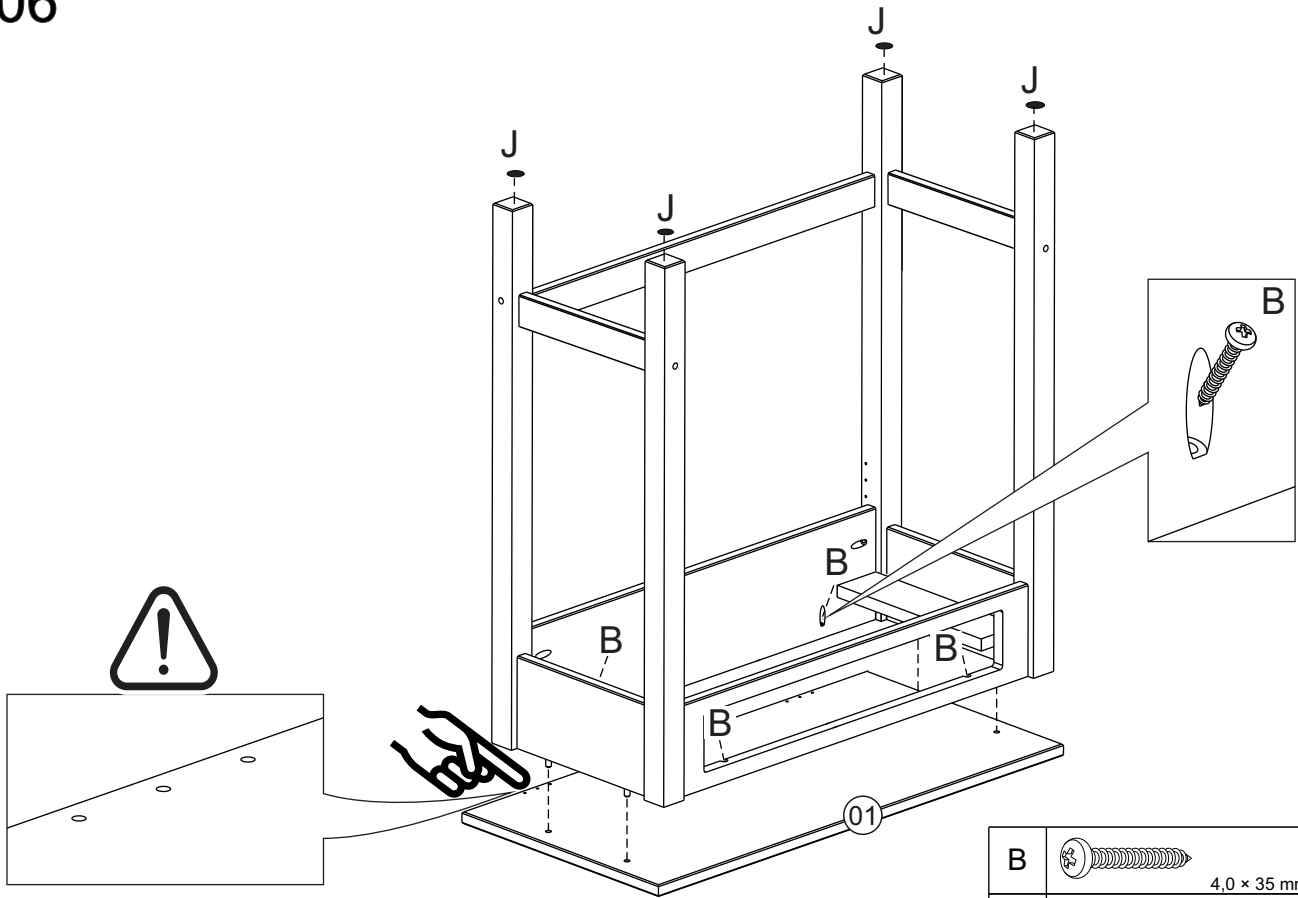
B		4,0 x 35 mm	02
---	---	-------------	----



05



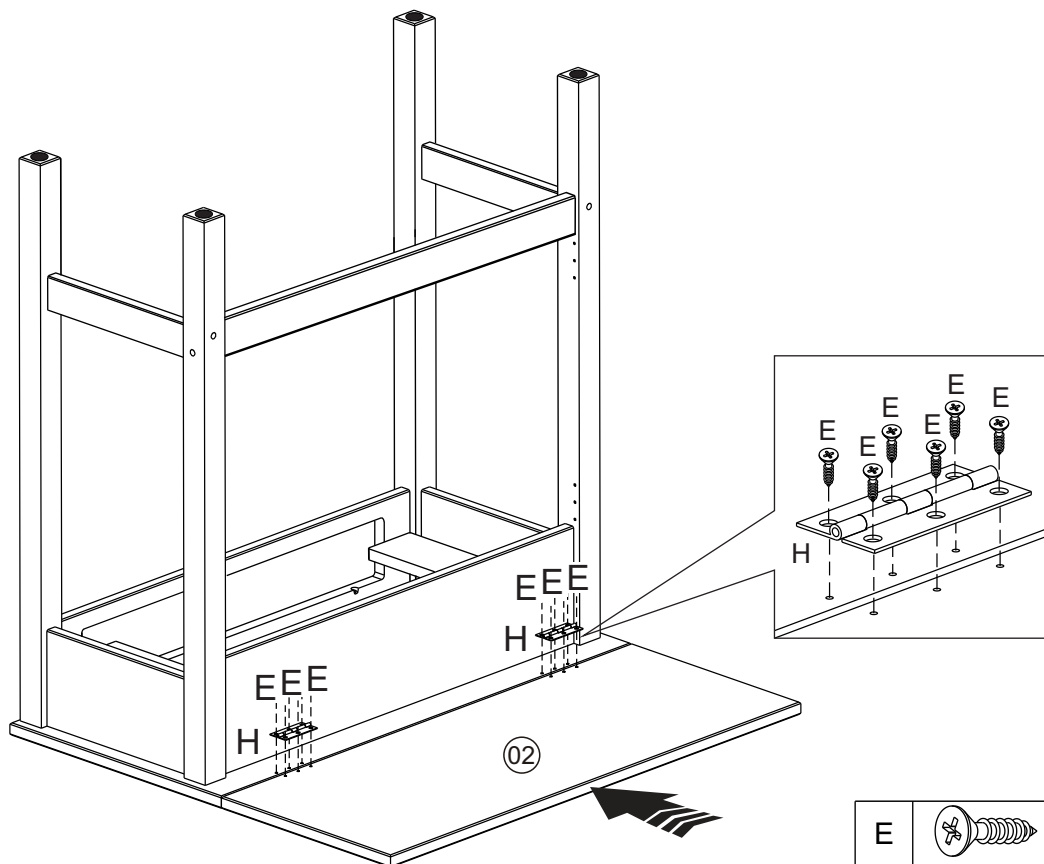
A		7,0 x 70 mm	04
B		4,0 x 35 mm	04
G			01



06



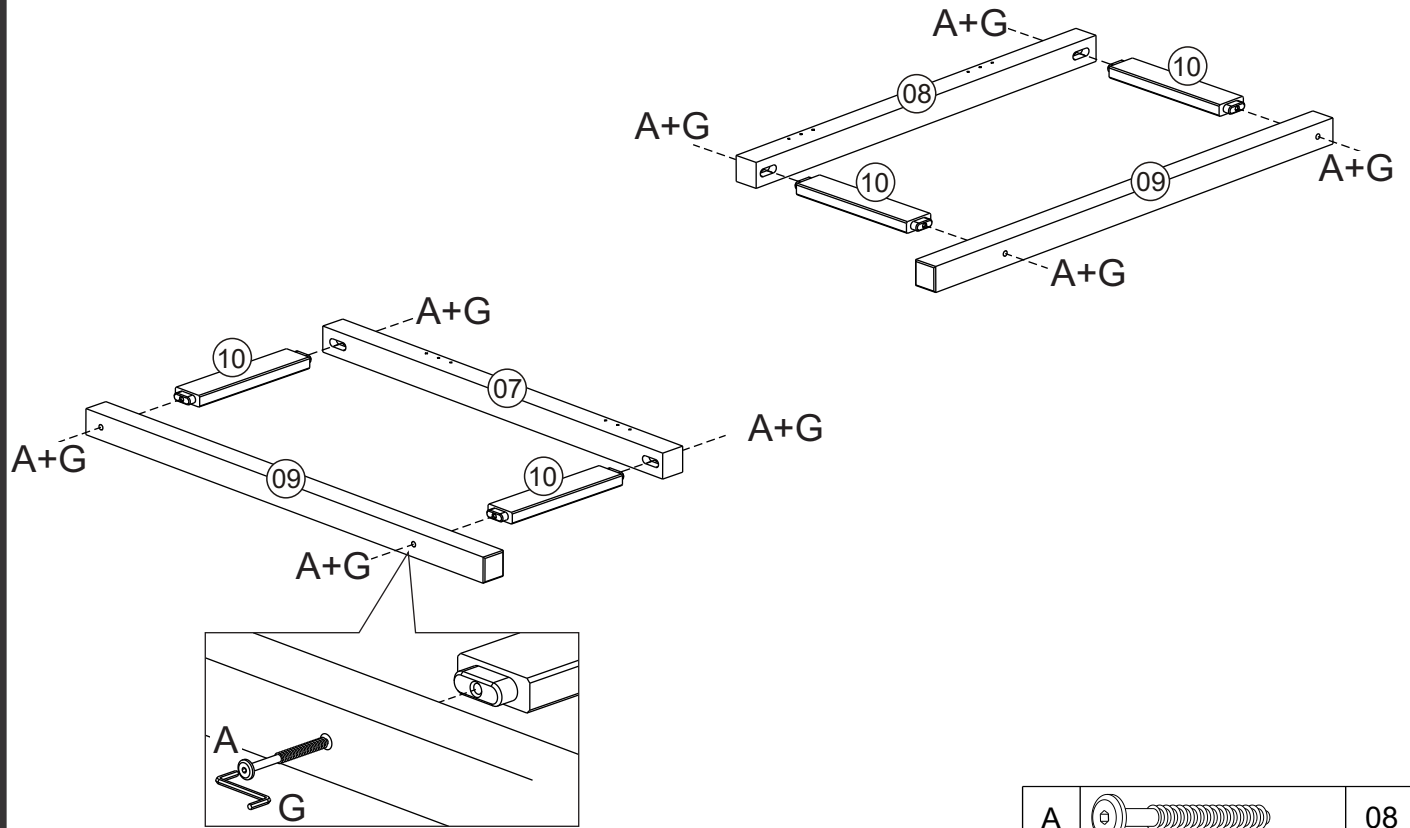
B		4,0 × 35 mm	04
J			04

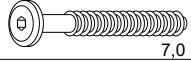

07



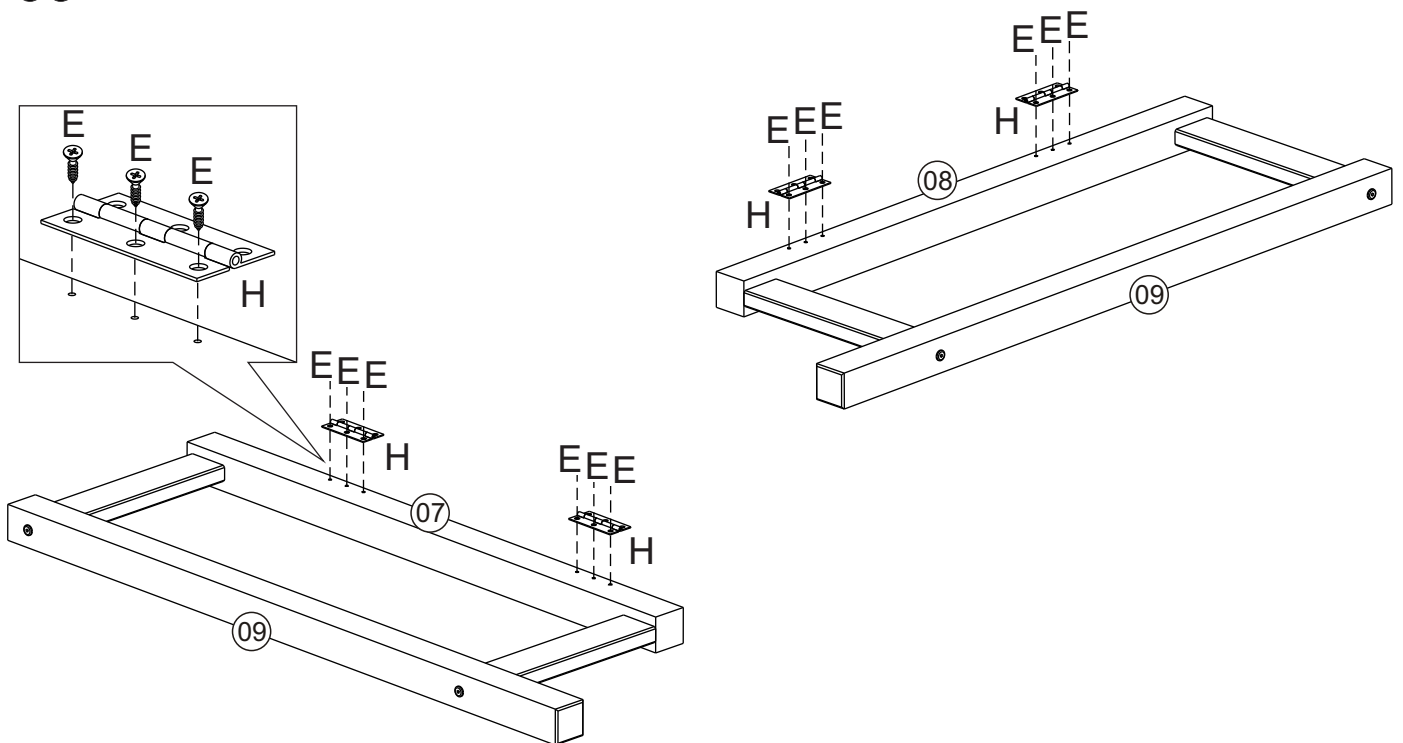
E		4,0 × 16 mm	12
H			02

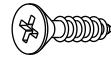
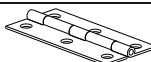
08



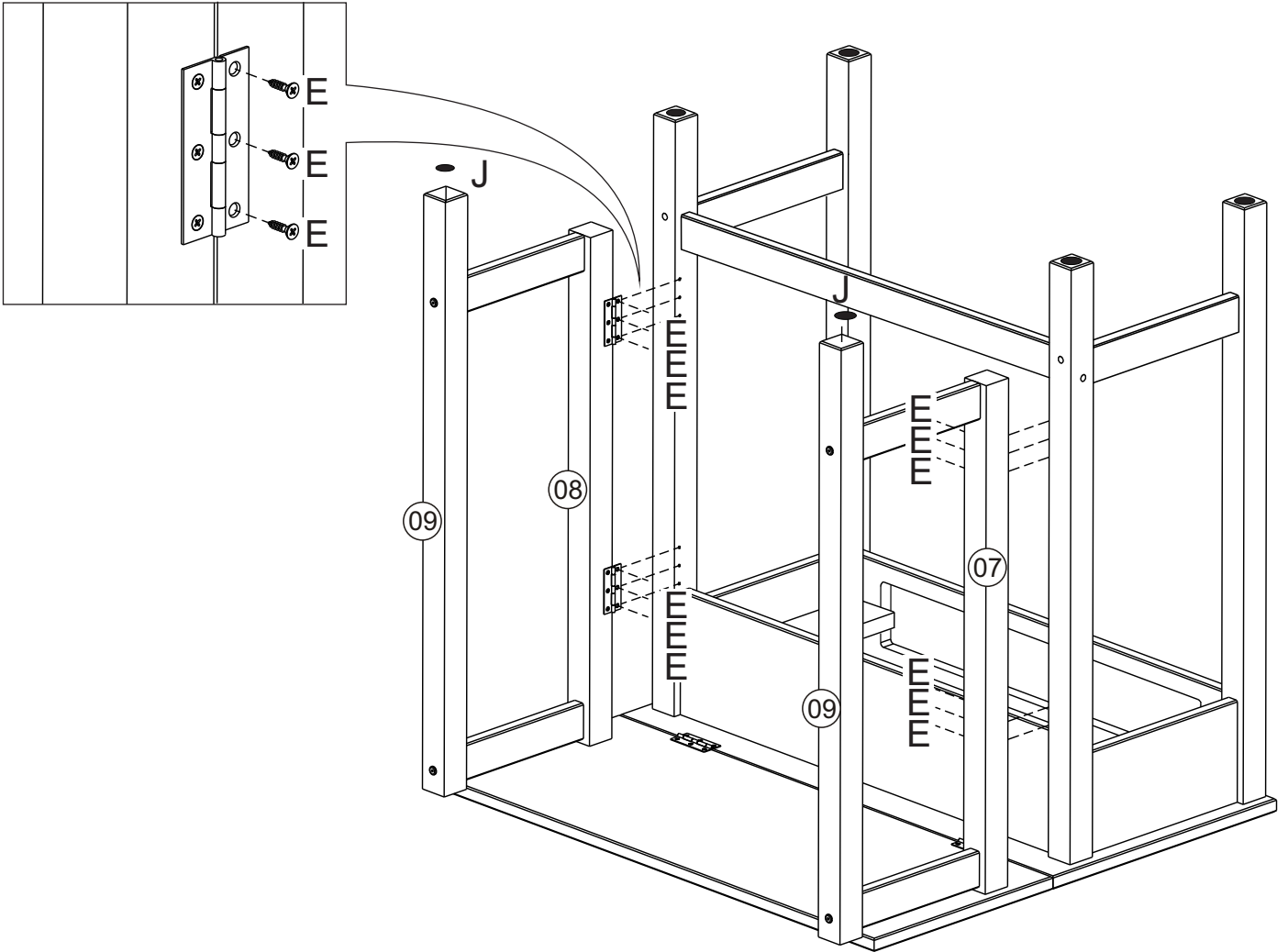
A		08
7,0 × 70 mm		
G		01



09



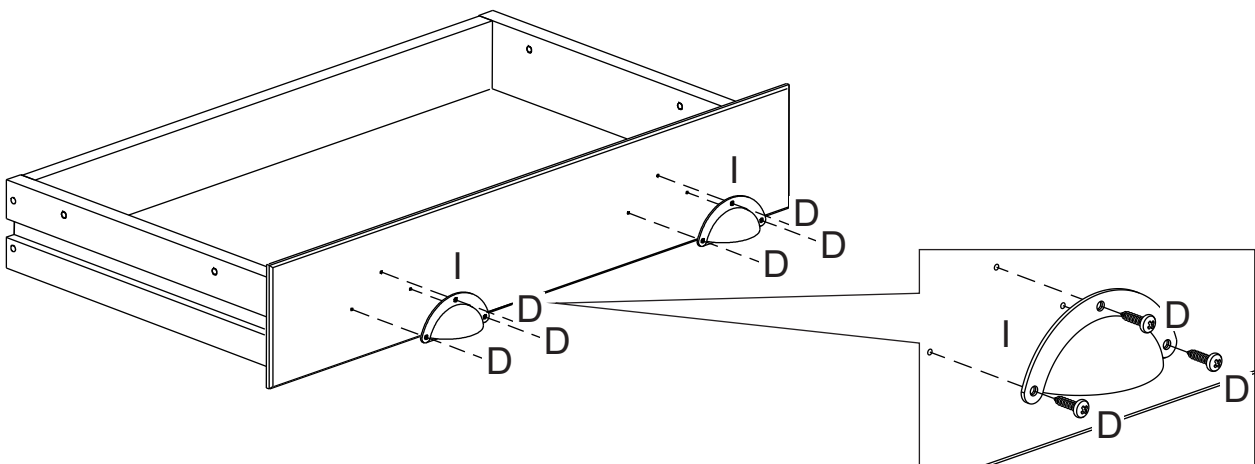
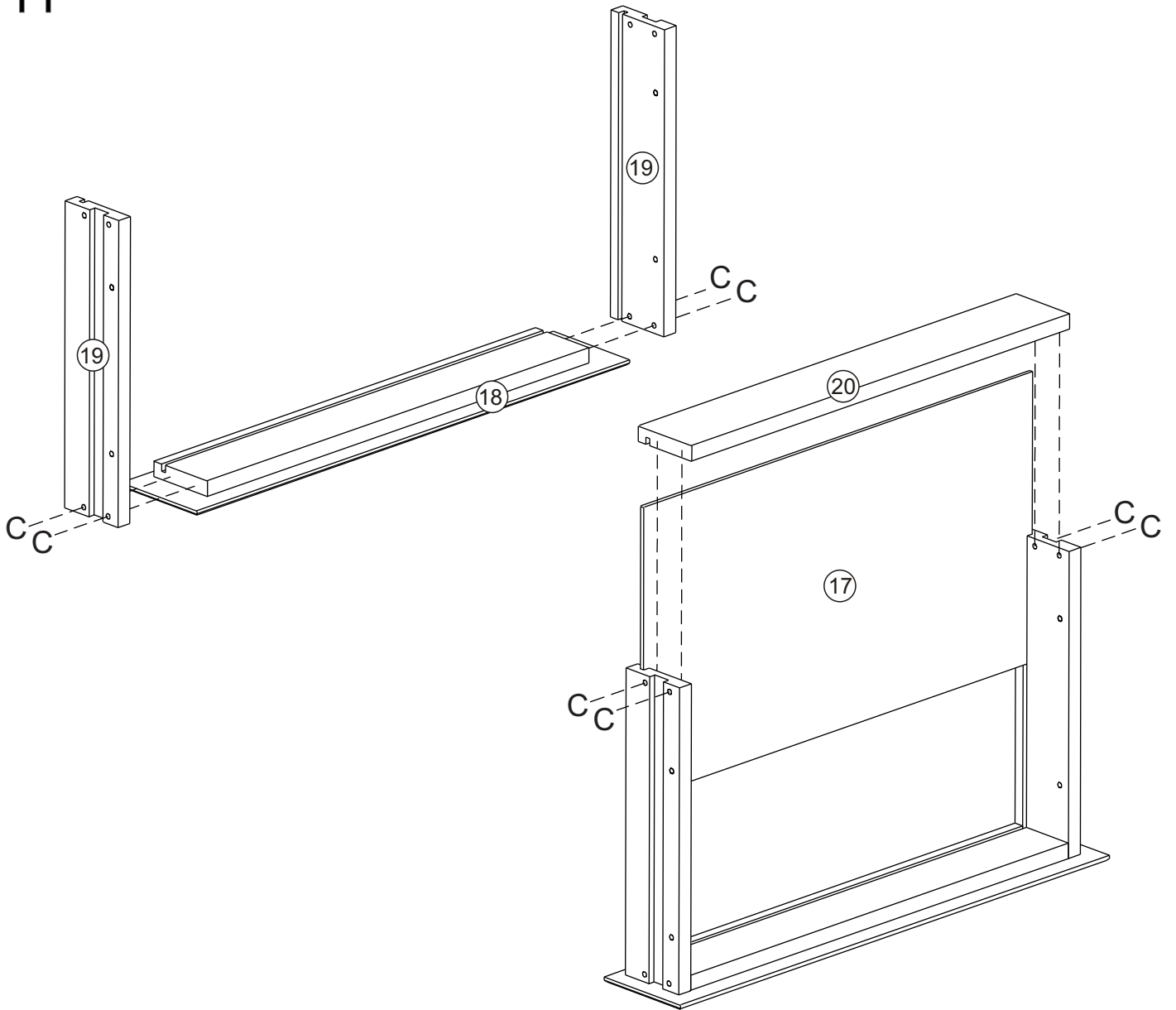
E		12
4,0 × 16 mm		
H		04

10



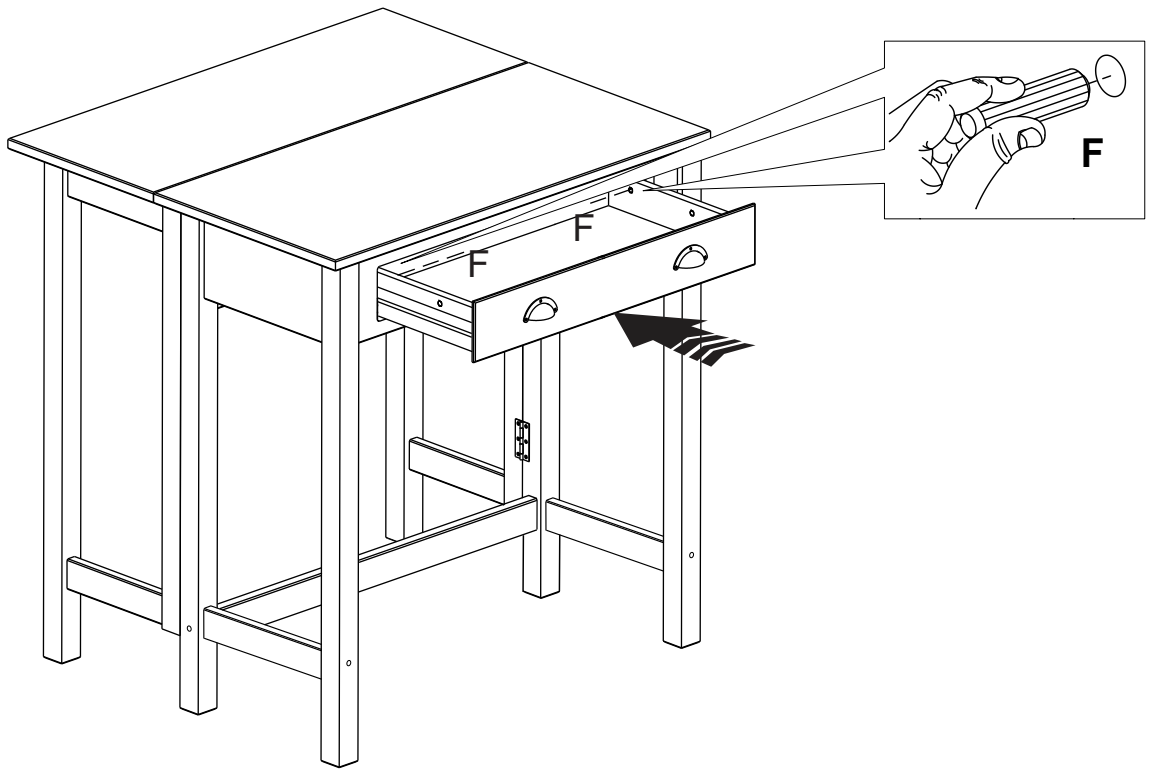
E		4,0 x 16 mm	12
J			02


11



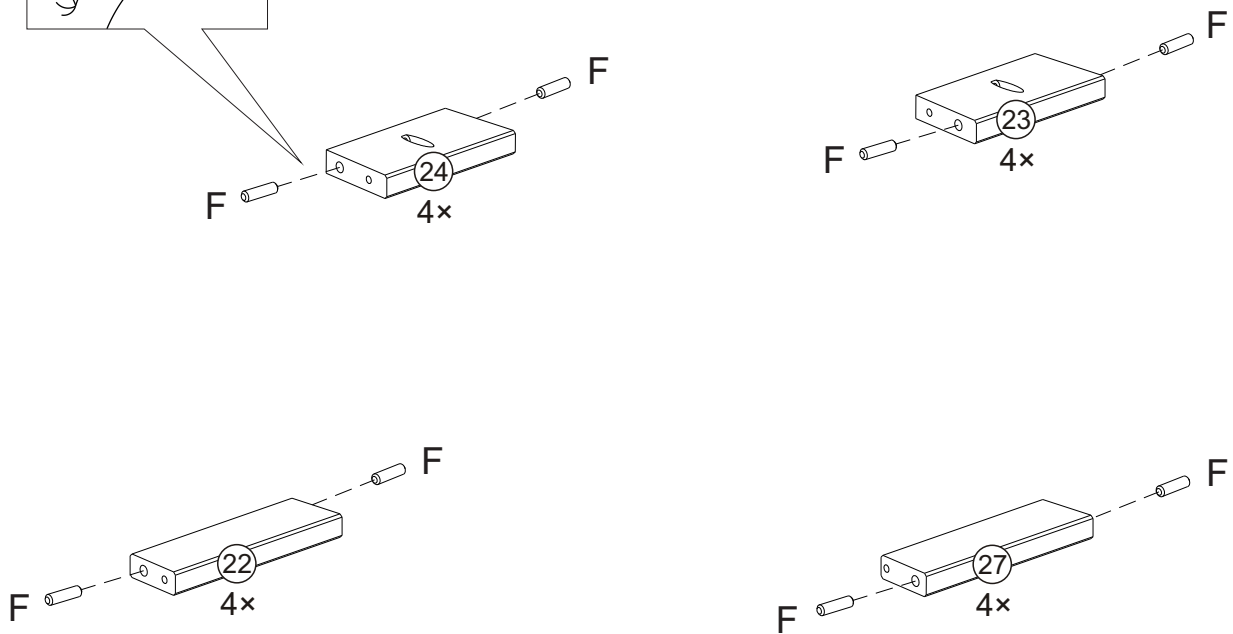
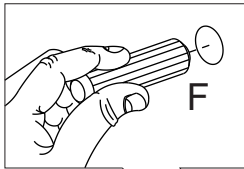
I		02
D		06
C		08


12



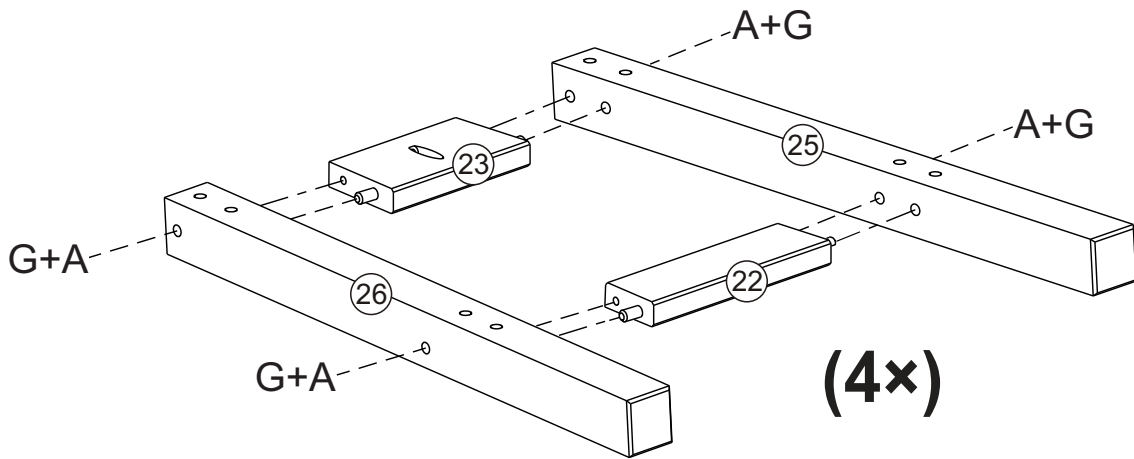
F		02
		8,0 x 30 mm



13



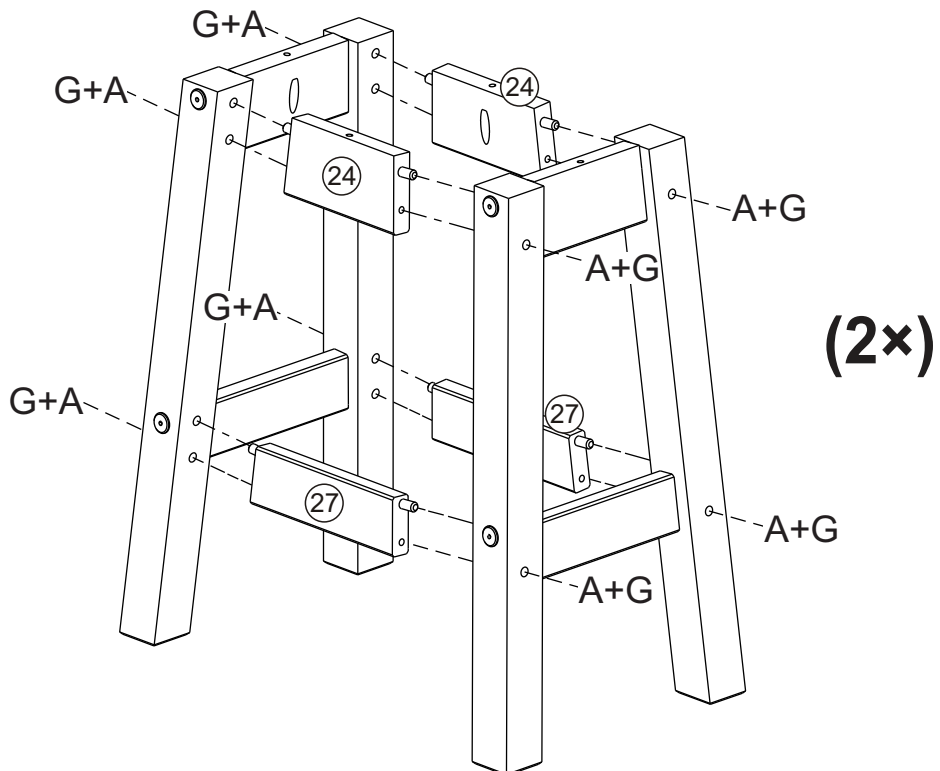
F		32
		8,0 x 30 mm

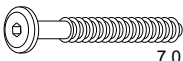

14



A	 7,0 x 70 mm	16
G		01

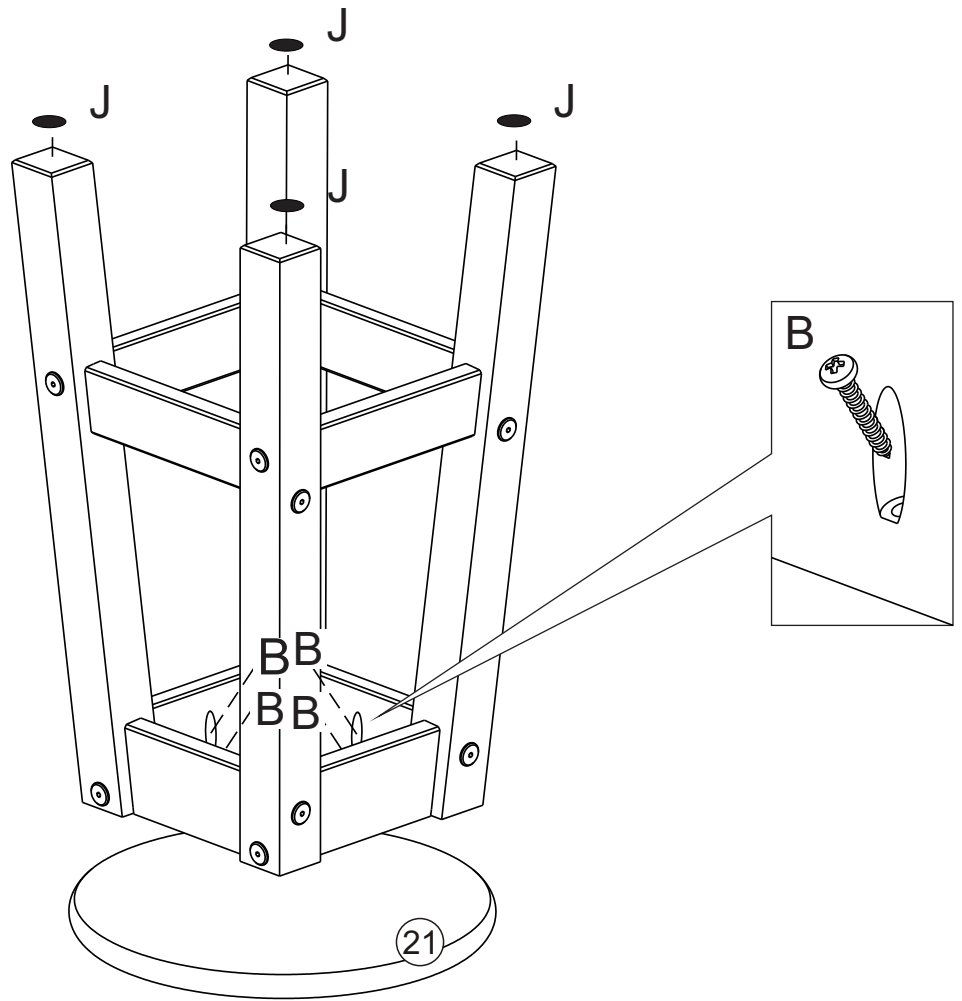
15





A	 7,0 x 70 mm	16
G		01

16

(2x)



B	 4,0 x 35 mm	08
J		08